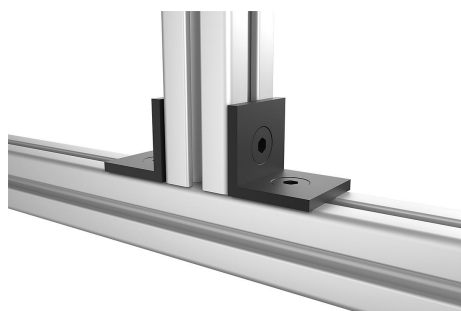


Angles

Item description/product images



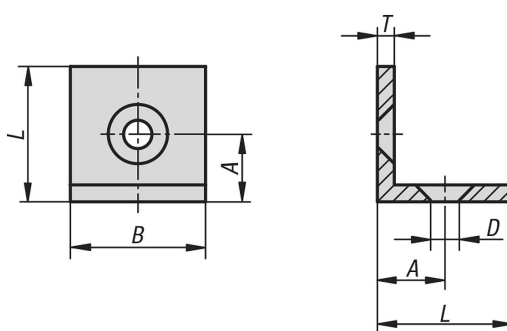
Description

Material:
Steel.

Version:
black powder-coated.

Note:
Universal fastening element for a rigid connection and linkage of profiles, panel elements or lightweight shelving.

Drawings



Overview of items

Angles

Order No.	Type	Slot width	A	B	D for screw	L	T
K1043.061	I	6	15	30	M6	30	3
K1043.081	I	8/10	20	40	M8	40	5

