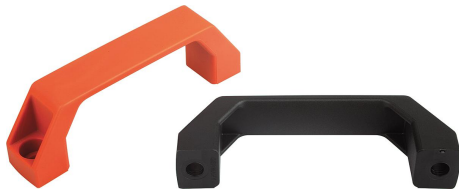


Pull handles, plastic, narrow, slanted both sides, for cap screws

Item description/product images



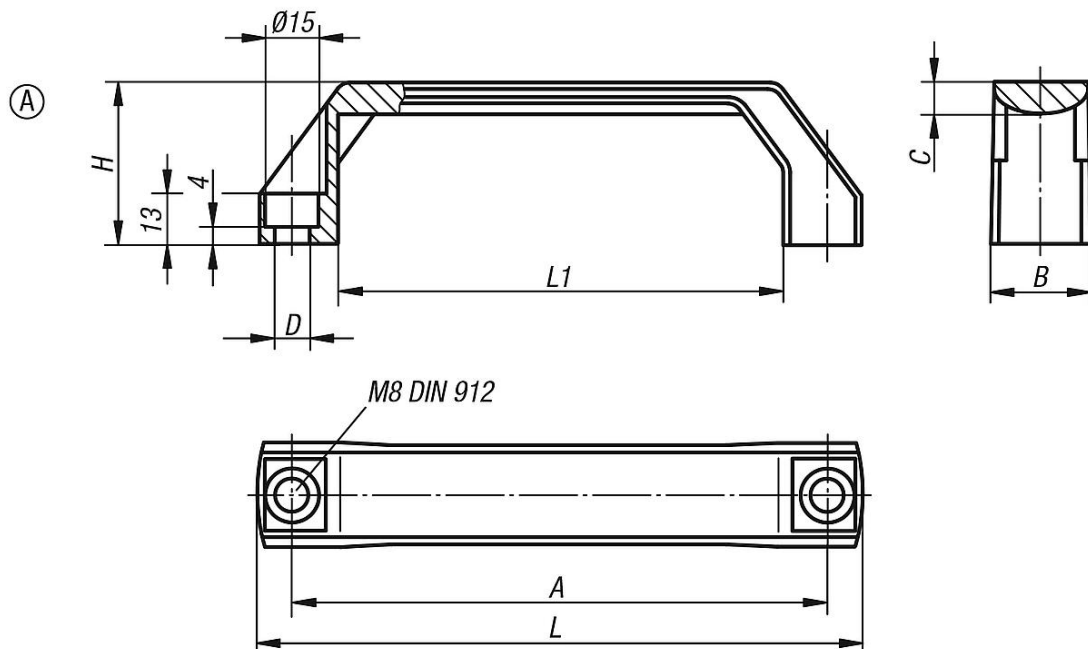
Description

Material:
Glass bead reinforced thermoplastic.

Version:
Black RAL 7021 or orange.

Note:
Dimension "A" applies after mounting. Before mounting it can be up to 2 mm smaller due to the release of the bending stress.

Drawings



Overview of items

Stirrup-Shaped Handles in thermoplastic

Order No.	Form	Main colour	A	B	C	D	H	L	L1	Load capacity N
K0191.1120081	A	black grey RAL 7021	120	26	8	9	42	138	96	1000
K0191.1140081	A	black grey RAL 7021	140	26	8	9	42	158	116	1000
K0191.1160081	A	black grey RAL 7021	160	28	9	9	45	178	136	1000
K0191.1120082	A	orange	120	26	8	9	42	138	96	1000
K0191.1140082	A	orange	140	26	8	9	42	158	116	1000
K0191.1160082	A	orange	160	28	9	9	45	178	136	1000

Pull handles, plastic, narrow, slanted both sides, for cap screws

