

Ball knobs DIN 319 Form C

Item description/product images



Description

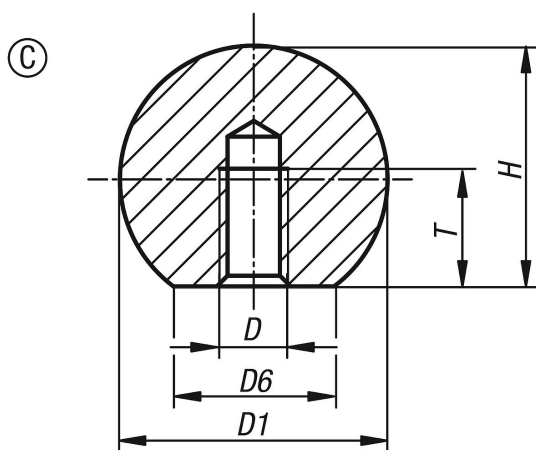
Material:

Stainless steel 1.4301 or aluminium.

Version:

Polished.

Drawings



Overview of items

Order No.	Form	Form definition	Main material	Steel code	D	D1	D6	H	T
K0650.116044	C	with internal thread	stainless steel	1.4301	M4	16	8	15	7,2
K0650.120054	C	with internal thread	stainless steel	1.4301	M5	20	12	18	9,1
K0650.125064	C	with internal thread	stainless steel	1.4301	M6	25	15	22,5	11
K0650.132084	C	with internal thread	stainless steel	1.4301	M8	32	18	29	14,5
K0650.140104	C	with internal thread	stainless steel	1.4301	M10	40	22	37	18
K0650.150124	C	with internal thread	stainless steel	1.4301	M12	50	28	46	21
K0650.120053	C	with internal thread	stainless steel	1.4305	M5	20	12	18	9,1
K0650.140103	C	with internal thread	stainless steel	1.4305	M10	40	22	37	18
K0650.150123	C	with internal thread	stainless steel	1.4305	M12	50	28	46	21
K0650.116042	C	with internal thread	aluminium	-	M4	16	8	15	7,2
K0650.120052	C	with internal thread	aluminium	-	M5	20	12	18	9,1
K0650.125062	C	with internal thread	aluminium	-	M6	25	15	22,5	11
K0650.132082	C	with internal thread	aluminium	-	M8	32	18	29	14,5
K0650.140102	C	with internal thread	aluminium	-	M10	40	22	37	18
K0650.150122	C	with internal thread	aluminium	-	M12	50	28	46	21