

Levelling feet plates steel or stainless steel, Form A

Item description/product images



Description

Material:

Plate steel or stainless steel 1.4301.

Version:

Steel chrome-plated.

Stainless steel polished.

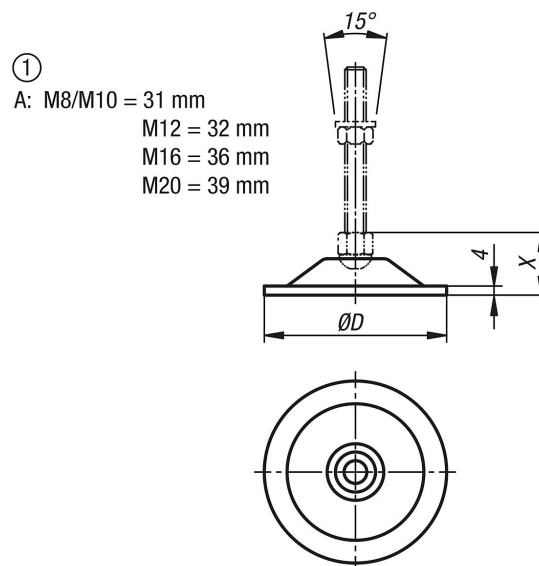
Note:

Levelling feet consist of a plate and a threaded spindle.

Any plate can be combined with any threaded spindle.

For matching threaded spindles, see K0669.

Drawings



Overview of items

Order No.	Main material	Form	D	Load rating max. kN
K0672.10801	steel	A	80	20
K0672.10802	stainless steel	A	80	20