

Star grips similar to DIN 6336, aluminium, Form D, thread countersunk

Item description/product images

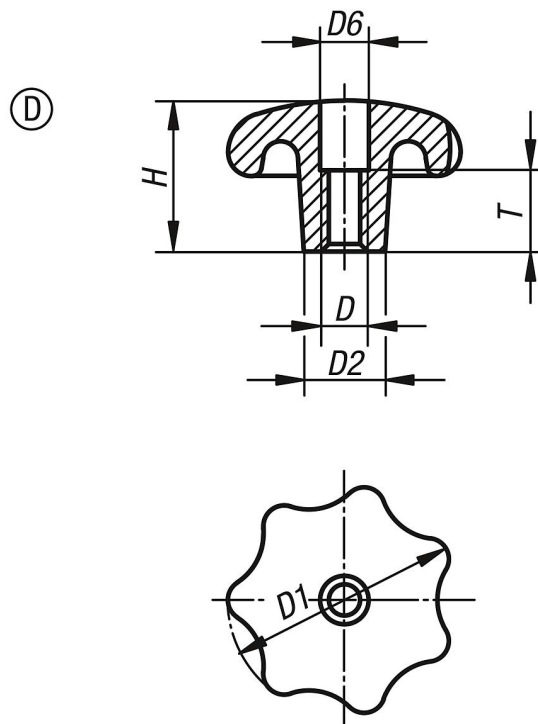


Description

**Material:**  
Aluminium.

**Version:**  
Tumbled or ground and polished.

Drawings



Overview of items

Order No.	Form	Surface finish body	D	D1	D2	D6	H	T
K0149.440082	D	polished	M8	40	14	8,4	25	12
K0149.450102	D	polished	M10	50	18	10,5	32	16
K0149.463122	D	polished	M12	63	20	13	40	20
K0149.480162	D	polished	M16	80	25	17	50	30
K0149.44008	D	tumbled	M8	40	14	8,4	25	12
K0149.45010	D	tumbled	M10	50	18	10,5	32	16
K0149.46312	D	tumbled	M12	63	20	13	40	20
K0149.48016	D	tumbled	M16	80	25	17	50	30