

Star grips similar to DIN 6336, aluminium, Form A, blank

Item description/product images



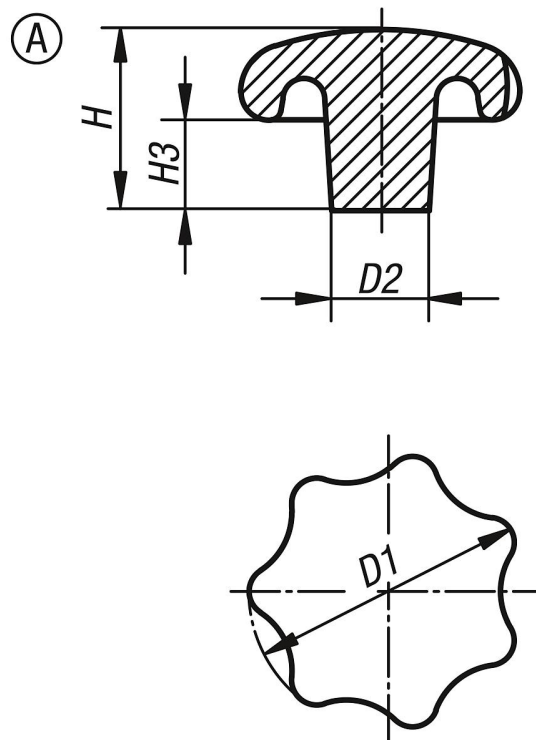
Description

Material:
Aluminium.

Version:
Vibratory ground.
Bright.

On request:
Blank star grips (not tumbled).

Drawings



Overview of items

Aluminium Star Grips similar to DIN 6336

Order No.	Form	Surface finish body	D1	D2	H	H3
K0149.14008	A	tumbled	40	14	26	13
K0149.15010	A	tumbled	50	18	34	17
K0149.16312	A	tumbled	63	20	42	21
K0149.18016	A	tumbled	80	25	52	25

