

Palm grips, similar to DIN 6335, Form E with protruding steel bush

Item description/product images

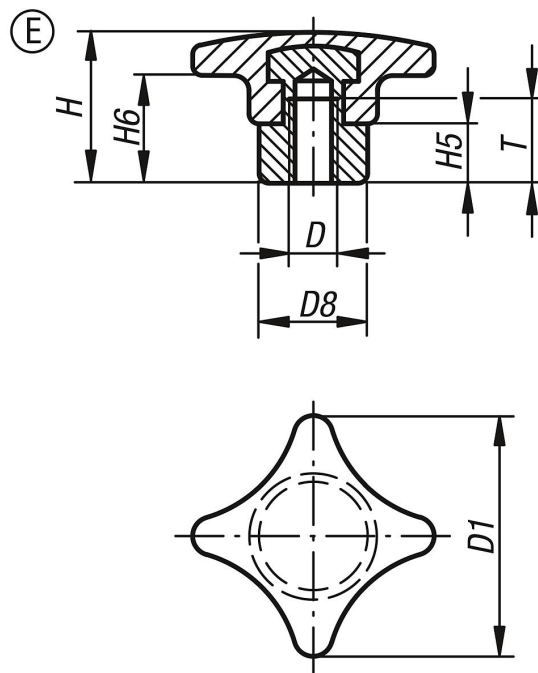


Description

Material:
Black thermoset PF 31.
Projecting bush steel.

Version:
High-gloss polished.

Drawings



Overview of items

Order No.	Form	D	D1	D8	H	H5	H6	T
K0148.306	E	M6	32	12	23	9	12	12
K0148.308	E	M8	40	14	26	10	13	15
K0148.310	E	M10	50	18	32	12	18	18
K0148.312	E	M12	63	20	40	14	23	22
K0148.316	E	M16	80	25	50	17	28	28