

Palm grips aluminium, similar to DIN 6335

Item description/product images



Description

Material:

Aluminium.

Grub screw stainless steel 1.4305.

Pin stainless steel 1.4310.

Version:

Vibratory ground or ground and polished.

Grub screw and pin bright.

On request:

Blank palm grips (not tumbled).

Drawing reference:

Form A: blank

Form B: drilled through

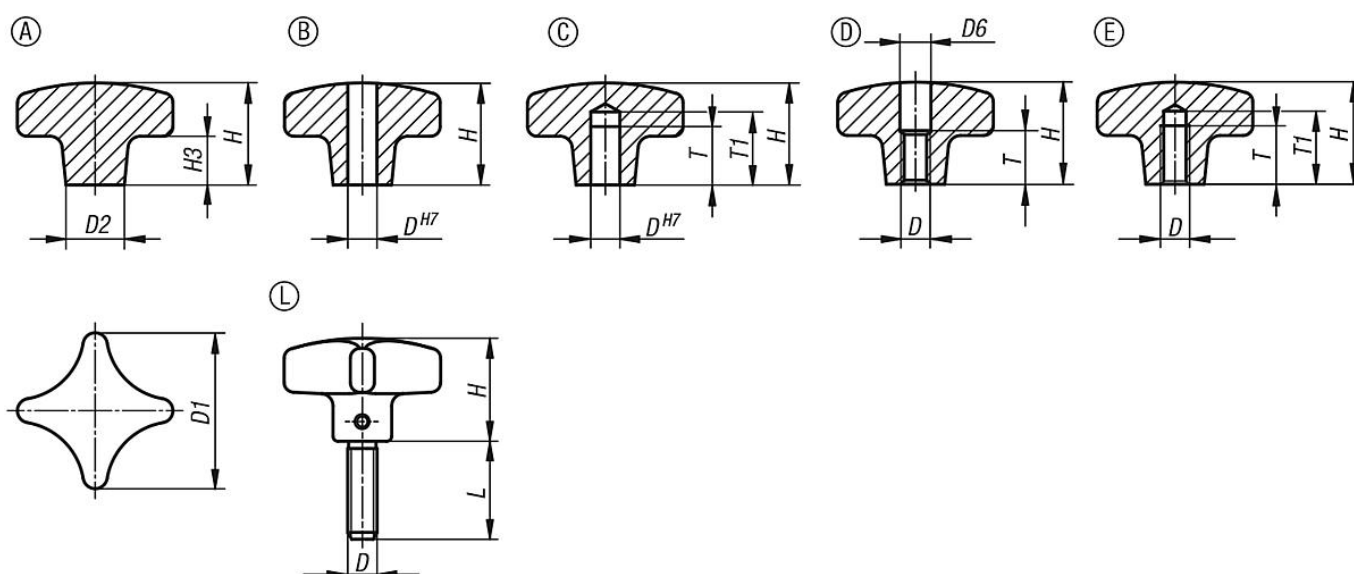
Form C: blind hole

Form D: tapped and counterbored

Form E: tapped blind hole

Form L: external thread

Drawings



Overview of items

Palm grips aluminium, similar to DIN 6335

Order No.	Form	Finish	D	D1	D2	D6	H	H3	L	T	T1
K0145.104008	A	tumbled	-	40	14	-	26	14	-	-	-
K0145.105010	A	tumbled	-	50	18	-	34	20	-	-	-
K0145.106312	A	tumbled	-	63	25	-	42	25	-	-	-
K0145.108016	A	tumbled	-	80	25	-	52	30	-	-	-
K0145.204008	B	tumbled	8	40	14	-	25	-	-	-	-
K0145.205010	B	tumbled	10	50	18	-	32	-	-	-	-

Palm grips aluminium, similar to DIN 6335

Overview of items

Order No.	Form	Finish	D	D1	D2	D6	H	H3	L	T	T1
K0145.206312	B	tumbled	12	63	25	-	40	-	-	-	-
K0145.208016	B	tumbled	16	80	25	-	50	-	-	-	-
K0145.2040082	B	polished	8	40	14	-	25	-	-	-	-
K0145.2050102	B	polished	10	50	18	-	32	-	-	-	-
K0145.2063122	B	polished	12	63	25	-	40	-	-	-	-
K0145.2080162	B	polished	16	80	25	-	50	-	-	-	-
K0145.304008	C	tumbled	8	40	14	-	25	14	-	15	18
K0145.305010	C	tumbled	10	50	18	-	32	20	-	18	21
K0145.306312	C	tumbled	12	63	25	-	40	25	-	22	25
K0145.308016	C	tumbled	16	80	25	-	50	30	-	28	32
K0145.3040082	C	polished	8	40	14	-	25	14	-	15	18
K0145.3050102	C	polished	10	50	18	-	32	20	-	18	21
K0145.3063122	C	polished	12	63	25	-	40	25	-	22	25
K0145.3080162	C	polished	16	80	25	-	50	30	-	28	32
K0145.404008	D	tumbled	M8	40	14	8,4	25	-	-	15	-
K0145.405010	D	tumbled	M10	50	18	10,5	32	-	-	18	-
K0145.406312	D	tumbled	M12	63	25	13	40	-	-	22	-
K0145.408016	D	tumbled	M16	80	25	17	50	-	-	28	-
K0145.4040082	D	polished	M8	40	14	8,4	25	-	-	15	-
K0145.4050102	D	polished	M10	50	18	10,5	32	-	-	18	-
K0145.4063122	D	polished	M12	63	25	13	40	-	-	22	-
K0145.4080162	D	polished	M16	80	25	17	50	-	-	28	-
K0145.504008	E	tumbled	M8	40	14	-	25	14	-	15	18
K0145.505010	E	tumbled	M10	50	18	-	32	20	-	18	21
K0145.506312	E	tumbled	M12	63	25	-	40	25	-	22	25
K0145.508016	E	tumbled	M16	80	25	-	50	30	-	28	32
K0145.5040082	E	polished	M8	40	14	-	25	14	-	15	18
K0145.5050102	E	polished	M10	50	18	-	32	20	-	18	21
K0145.5063122	E	polished	M12	63	25	-	40	25	-	22	25
K0145.5080162	E	polished	M16	80	25	-	50	30	-	28	32
K0145.604008X20	L	tumbled	M8	40	14	-	25	-	20	-	-
K0145.604008X25	L	tumbled	M8	40	14	-	25	-	25	-	-
K0145.604008X30	L	tumbled	M8	40	14	-	25	-	30	-	-
K0145.604008X40	L	tumbled	M8	40	14	-	25	-	40	-	-
K0145.604008X50	L	tumbled	M8	40	14	-	25	-	50	-	-
K0145.605010X20	L	tumbled	M10	50	18	-	32	-	20	-	-
K0145.605010X25	L	tumbled	M10	50	18	-	32	-	25	-	-
K0145.605010X30	L	tumbled	M10	50	18	-	32	-	30	-	-
K0145.605010X40	L	tumbled	M10	50	18	-	32	-	40	-	-
K0145.605010X50	L	tumbled	M10	50	18	-	32	-	50	-	-
K0145.606312X20	L	tumbled	M12	63	25	-	40	-	20	-	-
K0145.606312X30	L	tumbled	M12	63	25	-	40	-	30	-	-
K0145.606312X40	L	tumbled	M12	63	25	-	40	-	40	-	-
K0145.606312X50	L	tumbled	M12	63	25	-	40	-	50	-	-