

Multiple connectors

Item description/product images



Description

Material:

Wing grip:
grip black grey thermoplastic.
Screw steel 5.8.
Body:
high-strength aluminium.

Version:

Steel parts trivalent blue-passivated.
Aluminium nickel silver anodised.

Note:

Multiple connectors are used to extend round cross sections (bars, tubes, etc.) in a coaxial or parallel arrangement.

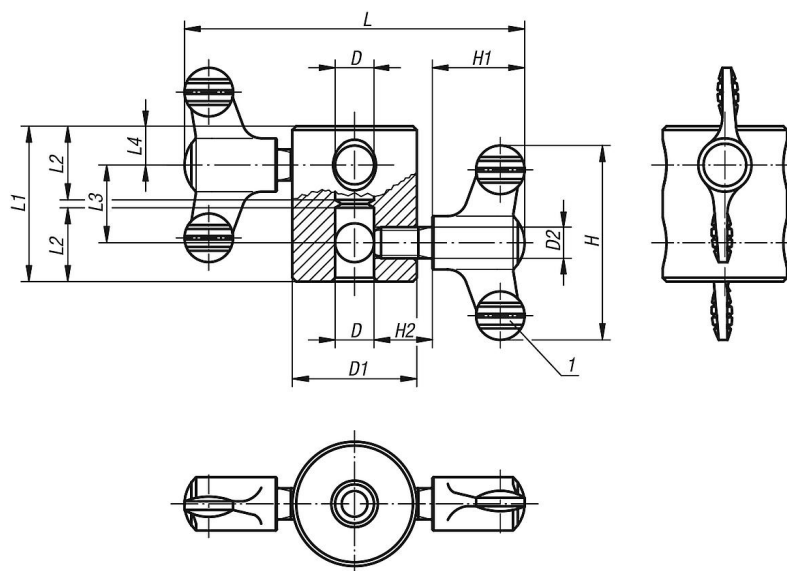
By a parallel arrangement, a strengthening or stiffening of the construction can be achieved.

The bore system in the body also allows for the production of right-angled connections.

Drawing reference:

1) wing grip

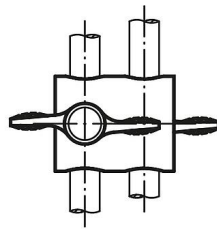
Drawings



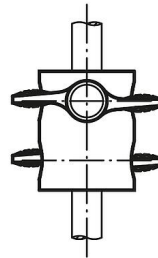
Multiple connectors

Drawings

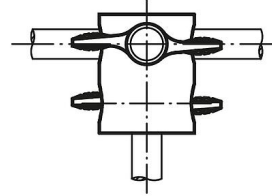
Arrangement:



parallel



coaxial



right-angled

Overview of items

Multiple connectors

Order No.	D	D1	D2	H	H1	H2	L	L1	L2	L3	L4
K0135.01	8	28	M8	50	24	15	86	36	17	20	8
K0135.02	10	32	M8	50	24	15	88	40	19	20	10
K0135.03	12	36	M8	50	24	15	90	44	21	20	12
K0135.04	16	45	M10	75	35,6	20	127,2	56	27	24	16