

Triangular grip ergonomic with external thread

Item description/product images



Description

Material:

Hard components fibreglass reinforced plastic.
Soft components thermoplastic elastomer.
Screws steel grade 5.8 or stainless steel 1.4305.

Version:

Steel trivalent blue passivated.
Stainless steel, bright.

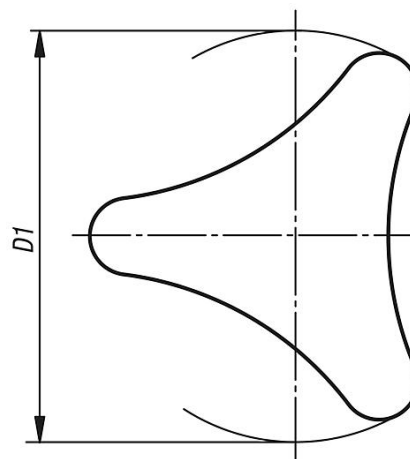
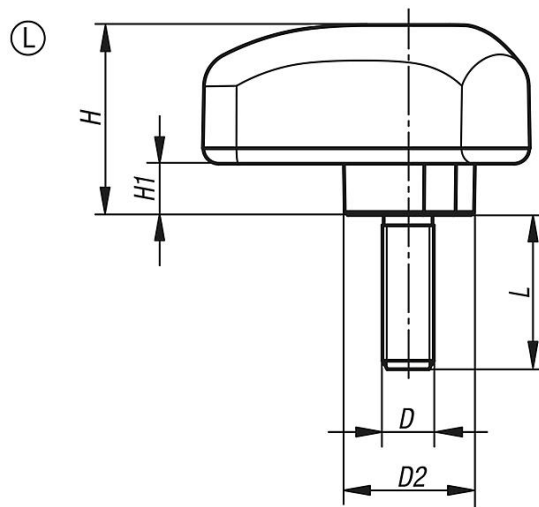
Note:

The colour combination
black grey RAL 7021 (hard components) and
black grey RAL 7021 (soft components)
are supplied as standard.

On request:

Other versions.

Drawings



Triangular grip ergonomic with external thread

Overview of items

Order No.	Form	Component material	D	D1	D2	H	H1	L
K0785.8008X20	L	steel	M8	80	26	37	10	20
K0785.8008X25	L	steel	M8	80	26	37	10	25
K0785.8008X30	L	steel	M8	80	26	37	10	30
K0785.8008X40	L	steel	M8	80	26	37	10	40
K0785.8010X30	L	steel	M10	80	26	37	10	30
K0785.8010X40	L	steel	M10	80	26	37	10	40
K0785.8010X50	L	steel	M10	80	26	37	10	50
K0785.8012X30	L	steel	M12	80	26	37	10	30
K0785.8012X40	L	steel	M12	80	26	37	10	40
K0785.8012X50	L	steel	M12	80	26	37	10	50
K0785.8012X60	L	steel	M12	80	26	37	10	60
K0785.08008X20	L	stainless steel	M8	80	26	37	10	20
K0785.08008X25	L	stainless steel	M8	80	26	37	10	25
K0785.08008X30	L	stainless steel	M8	80	26	37	10	30
K0785.08008X40	L	stainless steel	M8	80	26	37	10	40
K0785.08010X30	L	stainless steel	M10	80	26	37	10	30
K0785.08010X40	L	stainless steel	M10	80	26	37	10	40
K0785.08010X50	L	stainless steel	M10	80	26	37	10	50
K0785.08012X30	L	stainless steel	M12	80	26	37	10	30
K0785.08012X40	L	stainless steel	M12	80	26	37	10	40
K0785.08012X50	L	stainless steel	M12	80	26	37	10	50
K0785.08012X60	L	stainless steel	M12	80	26	37	10	60