

Angle brackets

Item description/product images



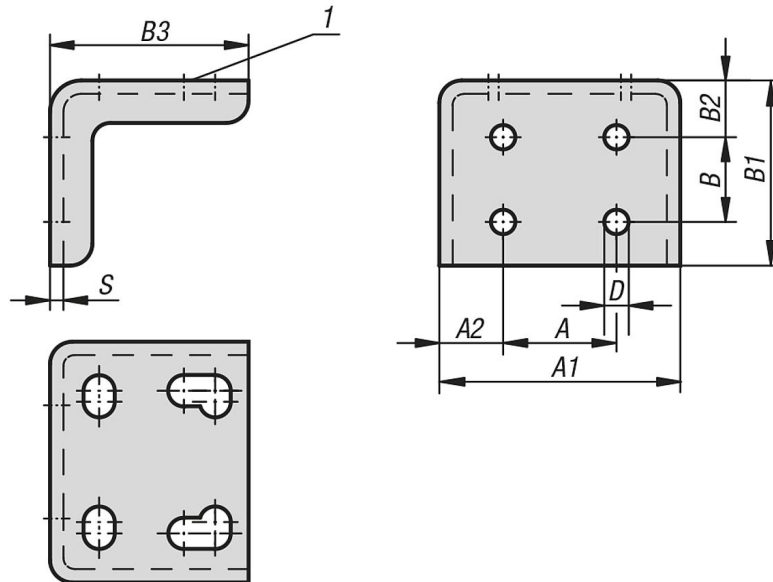
Description

Material:
Steel.

Version:
Trivalent passivated.

Drawing reference:
1) mount clamp on this face

Drawings



Overview of items

Angle brackets

| Order No. | A | A1 | A2 | B | B1 | B2 | B3 | D | S |
|-----------|------|----|------|----|------|------|------|-----|---|
| K0098.02 | 18 | 43 | 12,5 | 15 | 36,5 | 13,5 | 29,5 | 5 | 2 |
| K0098.04 | 25,4 | 54 | 14,2 | 19 | 41,5 | 12,7 | 44,5 | 5,5 | 3 |
| K0098.06 | 44 | 76 | 16 | 32 | 62 | 21 | 66 | 8,6 | 4 |