

## Toggle clamps push-pull without mounting bracket

### Item description/product images



### Description

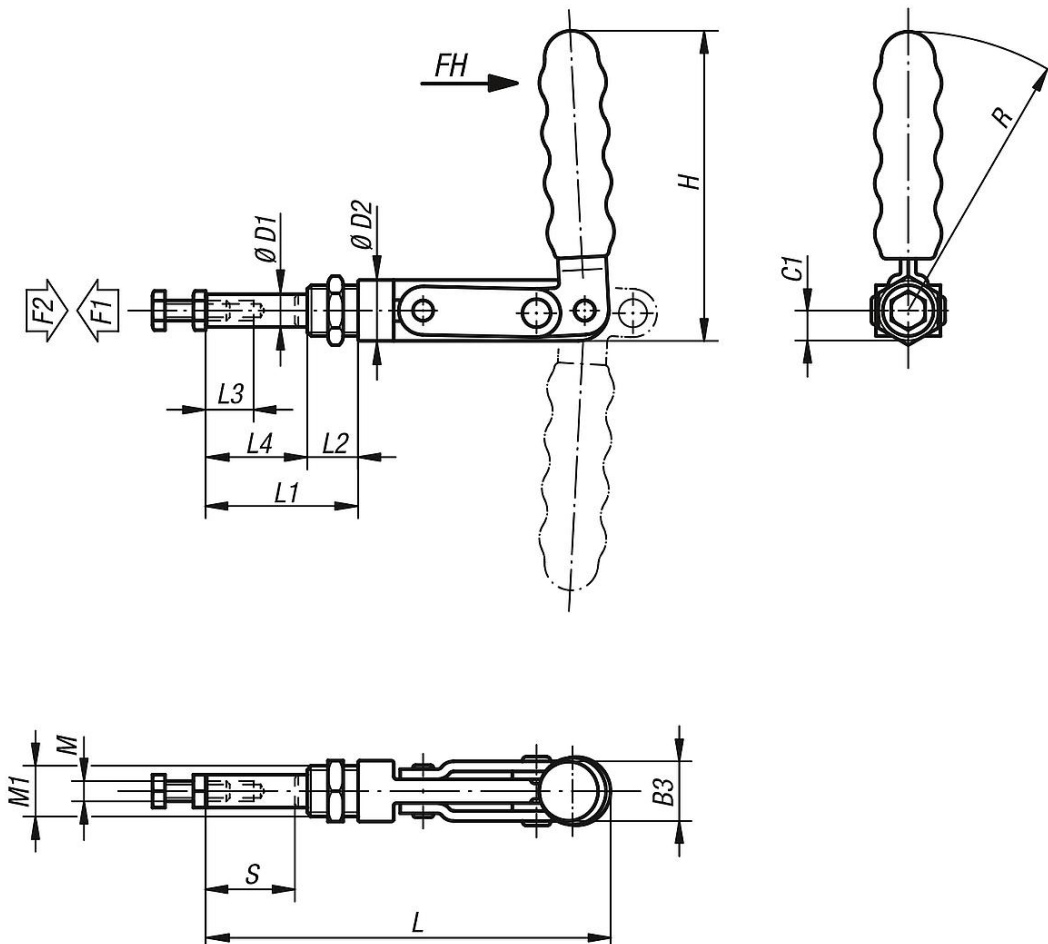
**Material:**  
Steel.

**Version:**  
Trivalent passivated.  
Connecting rod, guide body and thrust screw phosphated.  
Plastic grip oil-resistant.

**Note:**  
As the push-pull toggle clamps lock in open and closed handle positions, they can be used to clamp when pushing or pulling.  
The fastening nut supplied allows the clamps to be mounted in any desired position.

**Accessory:**  
K0100  
K0101  
K0102  
K0103  
K0106

### Drawings



## Toggle clamps push-pull without mounting bracket

### Overview of items

#### Toggle clamps push-pull without mounting bracket

Order No.	Opening angle of handle	Hand force FH N	Retaining force F2 N	Clamping force F1 N	Matching plastic grip
<b>K0086.0350</b>	185°	110	3500	1500	K0100.28
<b>K0086.0550</b>	185°	140	5500	1600	K0100.30
<b>K0086.0750</b>	185°	160	7500	1600	K0100.33

Order No.	B3	C1	D1	D2	H	L	L1	L2	L3	L4	M	M1	R	Travel S
<b>K0086.0350</b>	20,5	9,5	10	19	106,5	123	49	16	18	33	M6x25	M16x1,5	97	25
<b>K0086.0550</b>	24,5	12	13	24	130	159	60	20	30	40	M8x40	M20x1,5	118	38
<b>K0086.0750</b>	31	14,2	16	28,5	149	235	93	23	40	70	M10x50	M24x1,5	135	67