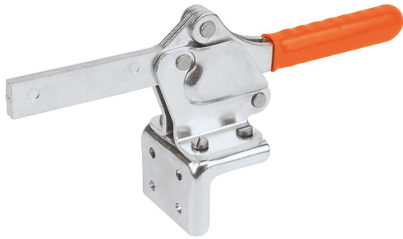


## Toggle clamps horizontal with flat foot and full holding arm

### Item description/product images



Angle bracket for front face mounting (see accessories)

### Description

**Material:**  
Steel.

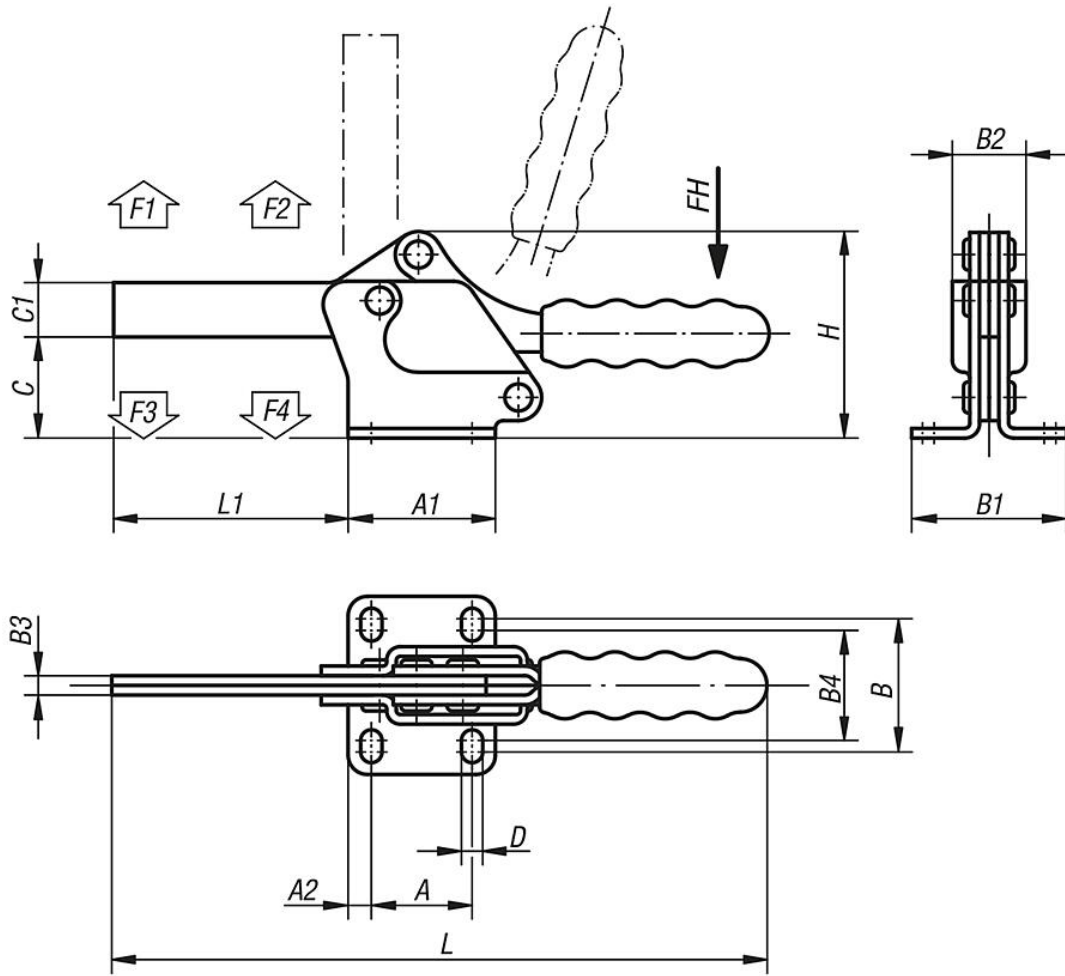
**Version:**  
Trivalent passivated.  
Plastic grip oil-resistant.

**Note:**  
spindle bracket weldable.

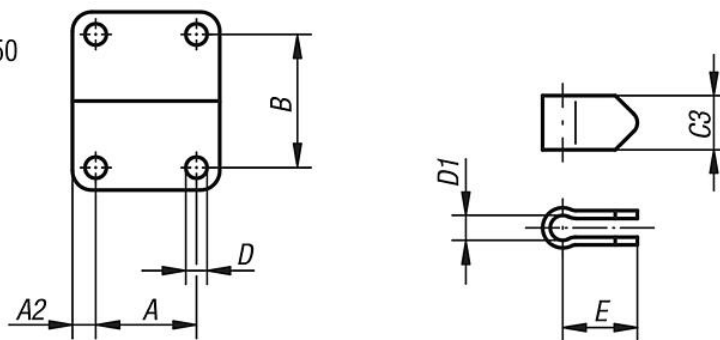
**Accessory:**  
K0098  
K0100  
K0101  
K0102  
K0103  
K0106

# Toggle clamps horizontal with flat foot and full holding arm

## Drawings



K0076.0450



## Overview of items

### Toggle clamps horizontal with flat foot and full holding arm

Order No.	Opening angle of holding arm	Opening angle of handle	Hand force FH N	Retaining force F1 N	Retaining force F2 N	Clamping force F3 N	Clamping force F4 N	Matching plastic grip
K0076.0250	95°	80°	200	1500	3500	800	1950	K0100.28
K0076.0350	90°	75°	250	2500	5500	1150	3100	K0100.30
K0076.0450	90°	75°	250	3000	6500	1150	3100	K0100.34

## Toggle clamps horizontal with flat foot and full holding arm

### Overview of items

Order No.	A	A1	A2	B	B1	B2	B3	B4	C	C1	C3	D	D1	E	H	L	L1	M=clamping spindle	Order No. Angle bracket
<b>K0076.0250</b>	26	42	8	32	47	23	6	27	34	17,5	17,5	6,6	8,3	24	67	226	82	M8x60	K0098.04
<b>K0076.0350</b>	41,2	59	9	43,7	60	30	8	39,7	45	24	22	8,7	10,3	30	91	272	110	M10x80	K0098.06
<b>K0076.0450</b>	41,2	67	13	42,8	68	38	10	-	59	27	26	8,7	12,3	32	110	310	130	M12x100	K0098.06