

Spring plungers with hex socket and ball, stainless steel, with thread lock

Item description/product images



Description

Material:

Sleeve 1.4305.

Ball 1.4034.

Spring 1.4310.

Thread lock nylon.

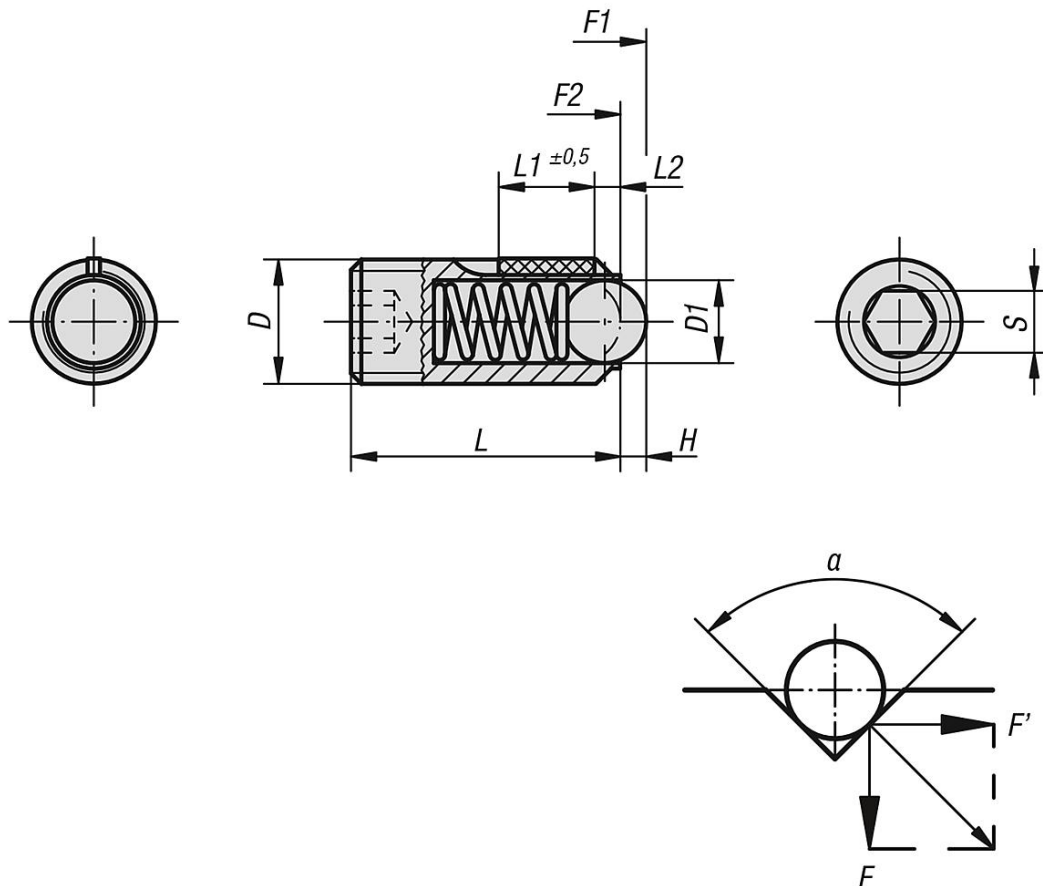
Version:

Bright. Ball hardened.

Drawing reference:

L2 = approx. 2x thread pitch

Drawings



$$\begin{aligned}
 a = 60^\circ, F' &= 1,732 \times F \\
 a = 90^\circ, F' &= F \\
 a = 120^\circ, F' &= 0,577 \times F
 \end{aligned}$$

Overview of items

Spring plungers with hex socket and ball, stainless steel, with thread lock

Overview of items

Spring plungers with hex socket and ball, stainless steel, with thread lock

Order No.	Spring strength	D	D1	H	L	L1	S	Spring force initial pressure F1 approx. N	Spring force final pressure F2 approx. N	Tightening torque approx. Nm	Loosening torque approx. Nm
K0326.03	standard	M3	1,5	0,4	9	4	1,5	1,5	3	0,1	0,07
K0326.04	standard	M4	2,5	0,8	10	5	2	4	10	0,18	0,12
K0326.05	standard	M5	3	0,9	14	6	2,5	6	11	0,12	0,08
K0326.06	standard	M6	3,5	1	15	7	3	9	13	0,44	0,21
K0326.08	standard	M8	5	1,5	18	8	4	15	30	1,1	0,38
K0326.10	standard	M10	6	2	23	9	5	20	35	1,3	0,6
K0326.12	standard	M12	8	2,5	26	10	6	30	55	2	1,3
K0326.16	standard	M16	10	3,5	33	14	8	65	125	3,9	3
K0326.203	intensified	M3	1,5	0,4	9	4	1,5	5	7	0,1	0,07
K0326.204	intensified	M4	2,5	0,8	10	5	2	12	22	0,18	0,12
K0326.205	intensified	M5	3	0,9	14	6	2,5	19	30	0,12	0,08
K0326.206	intensified	M6	3,5	1	15	7	3	28	40	0,44	0,21
K0326.208	intensified	M8	5	1,5	18	8	4	47	73	1,1	0,38
K0326.210	intensified	M10	6	2	23	9	5	66	100	1,3	0,6
K0326.212	intensified	M12	8	2,5	26	10	6	66	120	2	1,3
K0326.216	intensified	M16	10	3,5	33	14	8	90	180	3,9	3