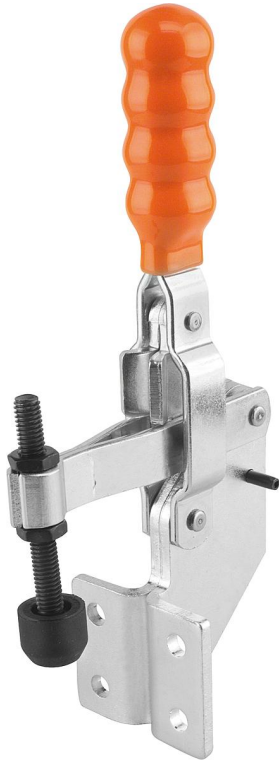


Toggle clamps vertical with angled foot and fixed clamping spindle

Item description/product images



Description

Material:

Steel.

Version:

Trivalent passivated.

Clamping spindle and nuts phosphated.

Plastic grip oil-resistant.

Note:

The opening angle between the arm and the grip can be reduced or increased by repositioning or removing the stop pin.

A neoprene thrust pad is supplied with version K0063.0100 and K0063.0200

Accessory:

K0100

K0101

K0102

K0103

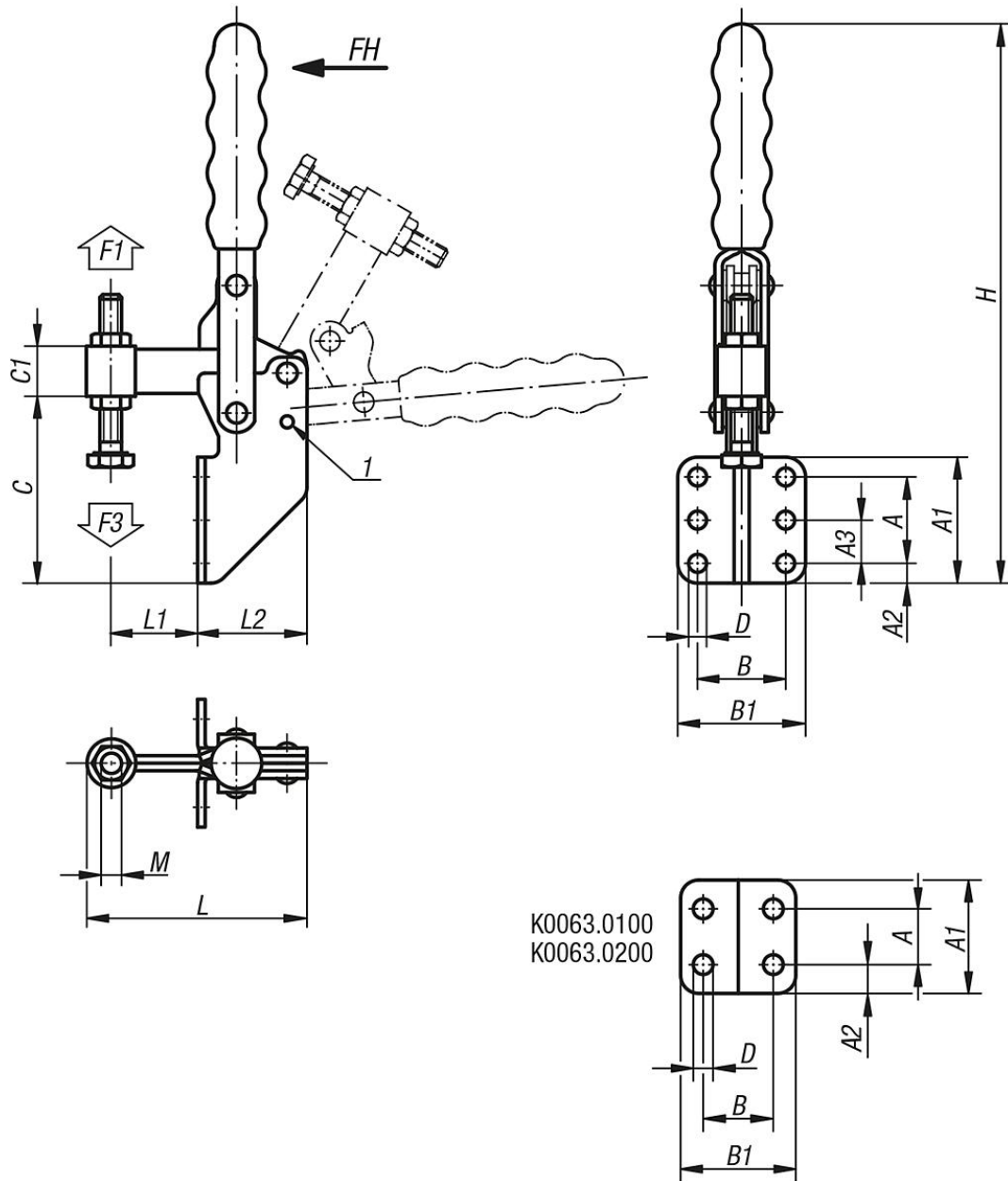
K0106

Drawing reference:

1) Position 1

Toggle clamps vertical with angled foot and fixed clamping spindle

Drawings



Overview of items

Toggle clamps vertical with angled foot and fixed clamping spindle

Order No.	Opening angle holding arm position 1	Opening angle holding arm stop pin removed	Opening angle handle position 1	Opening angle handle stop pin removed	Matching plastic grip
K0063.0100	80°	190°	60°	100°	K0100.16
K0063.0200	105°	175°	70°	95°	K0100.22
K0063.0300	105°	160°	65°	90°	K0100.28

Order No.	A	A1	A2	A3	B	B1	C	C1	D	H	L	L1	L2	M	Hand force FH N	Retaining force F1 N	Clamping force F3 N
K0063.0100	14	29	7	-	17,5	28	44	9,5	4,8	122	66	24,5	36	M5x35	80	850	650
K0063.0200	19	35	8	-	25	41	64	12,7	5,5	170	77	27	44	M6x50	100	1600	1150
K0063.0300	35	51	8	16	35	51	81	21,5	6,8	235	116	58	51	M8x60	130	3000	1150

