

Spring plungers with hex socket and POM thrust pin, stainless steel, with thread lock

Item description/product images



Description

Material:

Sleeve stainless steel 1.4305.

Thrust pin POM.

Spring stainless steel 1.4310.

Thread lock nylon.

Version:

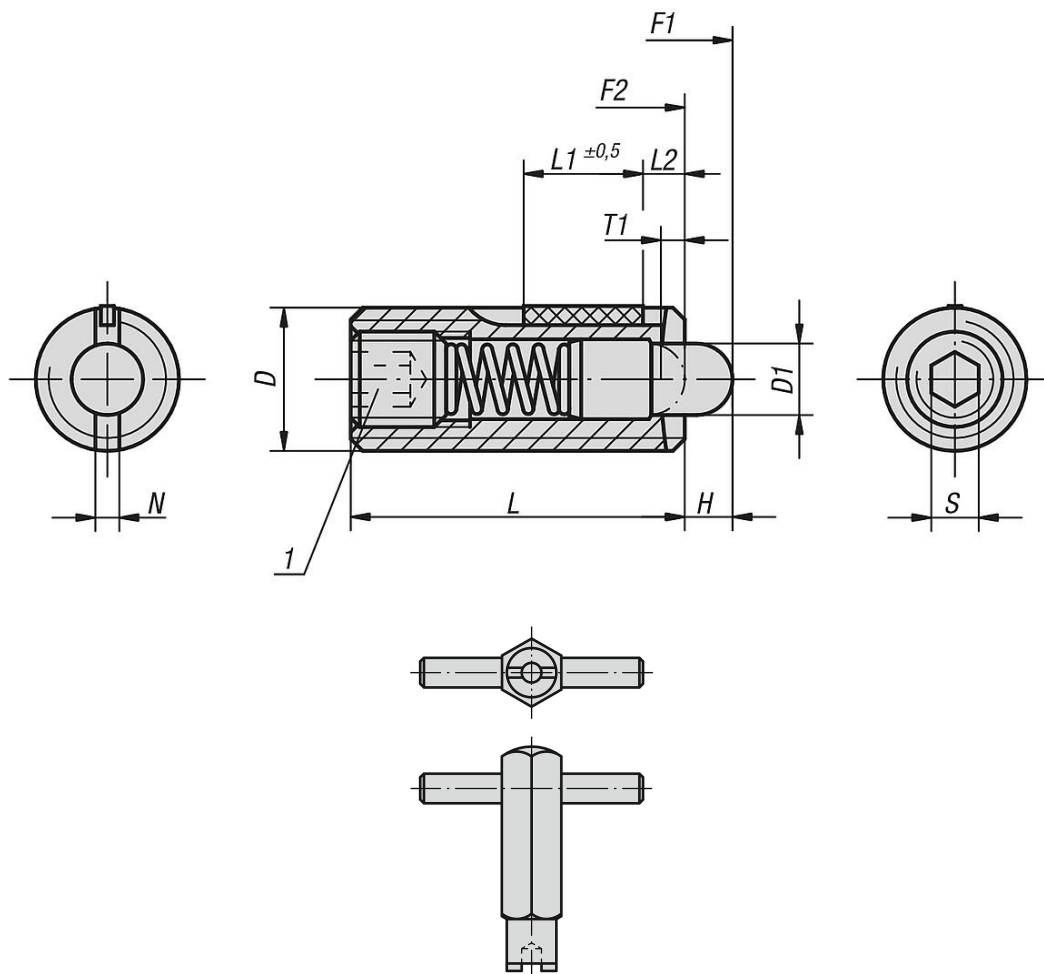
Bright.

Drawing reference:

L2 = ca. two full threads

1) grub screw glued-in

Drawings



Overview of items

Spring plungers with hex socket and thrust pin, standard spring force, with thread lock

Spring plungers with hex socket and POM thrust pin, stainless steel, with thread lock

Overview of items

Order No.	D	D1	H	L	L1	T1	N	S	Spring force initial pressure F1 approx. N	Spring force final pressure F2 approx. N	Tightening torque approx. Nm	Loosening torque approx. Nm	Order No. Assembly key
K0330.16	M16	7,5	5	32	14	2,5	2,5	5	38	85	3,9	3	K0317.916
K0330.05	M5	2,4	2,3	18	7	0,8	0,8	1,5	5	17	0,12	0,08	K0317.905
K0330.06	M6	2,7	2,5	20	7	1	1	2	6	17	0,45	0,22	K0317.906
K0330.08	M8	3,5	3	22	8	1,4	1,2	2,5	7	29	1,05	0,37	K0317.908
K0330.10	M10	4	3	22	9	1,4	1,6	3	8	31	1,3	0,6	K0317.910
K0330.12	M12	6	4	28	10	2	2	4	10	47	2	1,3	K0317.912