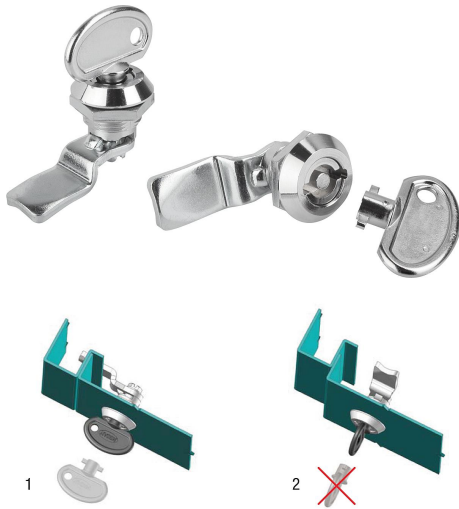


Quarter-turn security locks

Item description/product images



Description

Material:

Housing, actuator, nut and key die-cast zinc.
Flat seal rubber.
Tongue steel.

Version:

Housing and actuator trivalent passivated or black powder-coated.
Tongue electro zinc-plated.
Key trivalent passivated.

Note:

Security quarter turn lock with spring-loaded tongue. Right or left deployment. The lock can be installed pre-assembled. The fastening nut is an earthing nut with teeth one side.

Water and dust tight according to IP65.

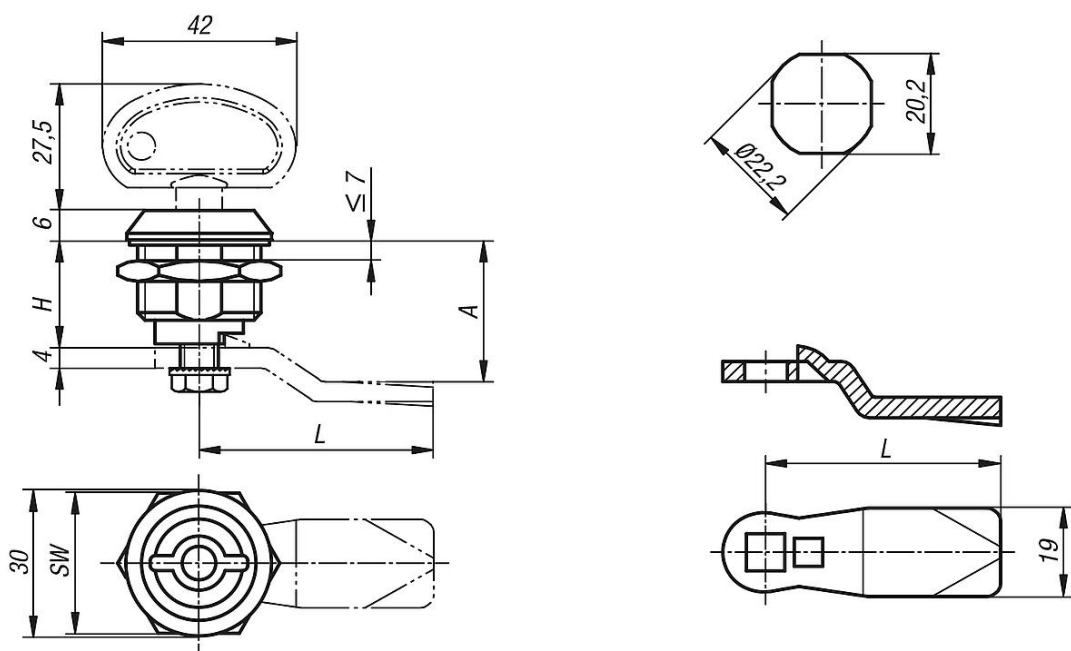
Please order key separately. Lock can only be opened and closed with a specific key. The key can only be removed in the closed position. With an open lock the key acts as a grip.

Please order the desired tongue type separately. Every tongue can be combined with every housing.

Drawing reference:

- 1) Key can be pulled out when locked
- 2) Key cannot be pulled out when open

Drawings



Quarter-turn security locks

Overview of items

Quarter-turn lock security

Order No.	Surface finish body	Actuation	H	SW	Order No Key
K0524.181	chromed	Key	18,5	27	K0524.9
K0524.182	powder-coated	Key	18,5	27	K0524.9

Tongue for quarter-turn lock

Order No.	A	L
K0523.135X165	16,5	35
K0523.135X185	18,5	35
K0523.135X205	20,5	35
K0523.135X225	22,5	35
K0523.135X245	24,5	35
K0523.145X045	4,5	45
K0523.145X065	6,5	45
K0523.145X085	8,5	45
K0523.145X105	10,5	45
K0523.145X125	12,5	45
K0523.145X145	14,5	45
K0523.145X165	16,5	45
K0523.145X185	18,5	45
K0523.145X205	20,5	45
K0523.145X215	21,5	45
K0523.145X225	22,5	45
K0523.145X245	24,5	45
K0523.145X265	26,5	45
K0523.145X285	28,5	45
K0523.145X305	30,5	45
K0523.145X325	32,5	45
K0523.145X345	34,5	45
K0523.145X365	36,5	45
K0523.145X385	38,5	45
K0523.145X405	40,5	45
K0523.145X425	42,5	45

Order No.	Item
K0524.9	Lock Key