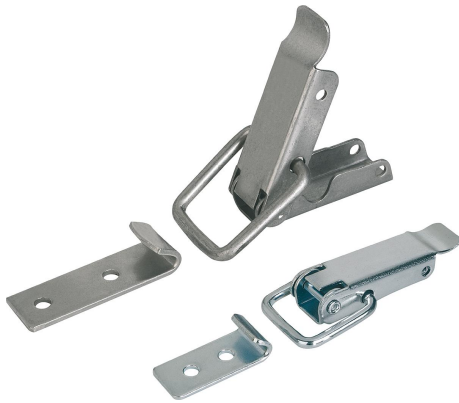


Latches with draw bail

Item description/product images



Description

Material:

Steel or stainless steel 1.4301.

Version:

Steel trivalent blue passivated.

Stainless steel bright.

Note:

Latches with draw bail for securing and locking hatches, container lids, machine cladding etc. By exceeding the dead centre they resist vibration.

The fastening force is applied by drawing on the bail.

The hole D2 can be used to secure against unintentional opening or attaching an official lead seal.

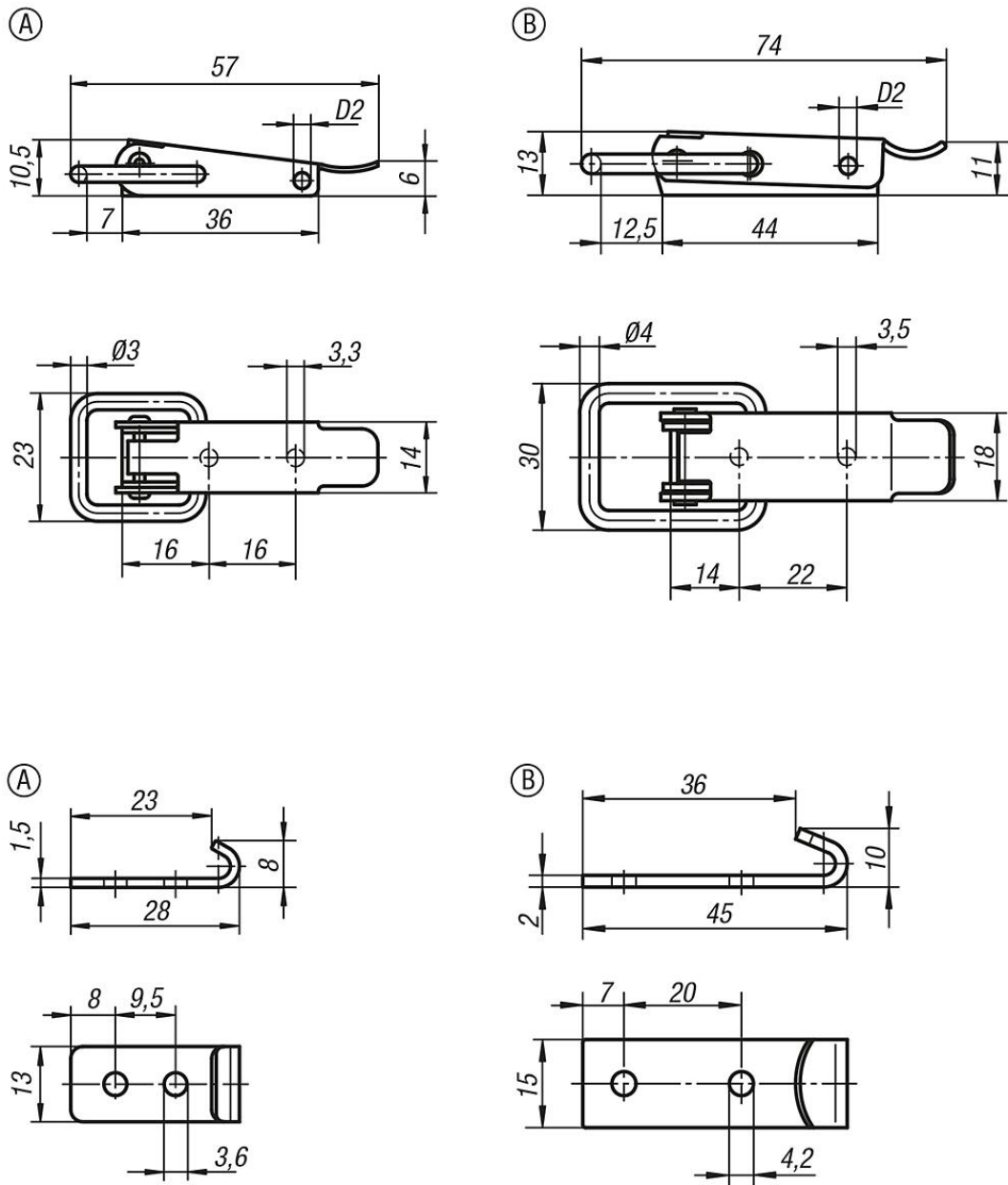
The latches can be screwed down or riveted.

Order catch plates separately.

The retaining force F1 applies to the latch, not the catch plate.

Latches with draw bail

Drawings



Overview of items

Latches with draw bail

Order No. steel	Order No. stainless steel	Form	D2	Retaining force F1 N
K0044.1330571	K0044.1330572	A	2,8	1000
K0044.2350741	K0044.2350742	B	3,2	2000

Catch plates

Order No. steel	Order No. stainless steel	Form
K0044.9136281	K0044.9136282	A
K0044.9242451	K0044.9242452	B

