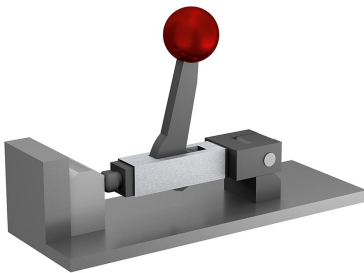


## Clamping element "arness"

### Item description/product images



### Description

**Material:**

Steel.

Ball knob thermoset PF 31

**Version:**

Housing painted silver-grey hammertone.

All other parts and accessories black oxidised.

Ball knob red.

**Note:**

The travel path is 12 mm. Self-locking occurs in any position within only 1.5 mm of clamp travel, allowing workpieces with tolerances of up to 1 mm to be securely clamped. The arness clamping element can be fitted in any horizontal or vertical position.

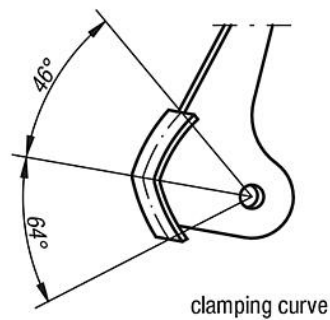
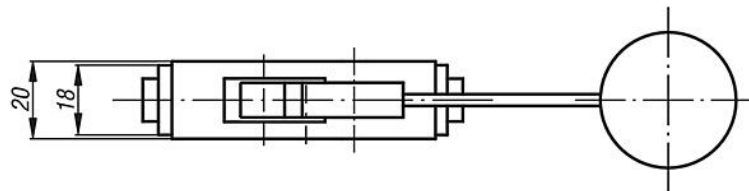
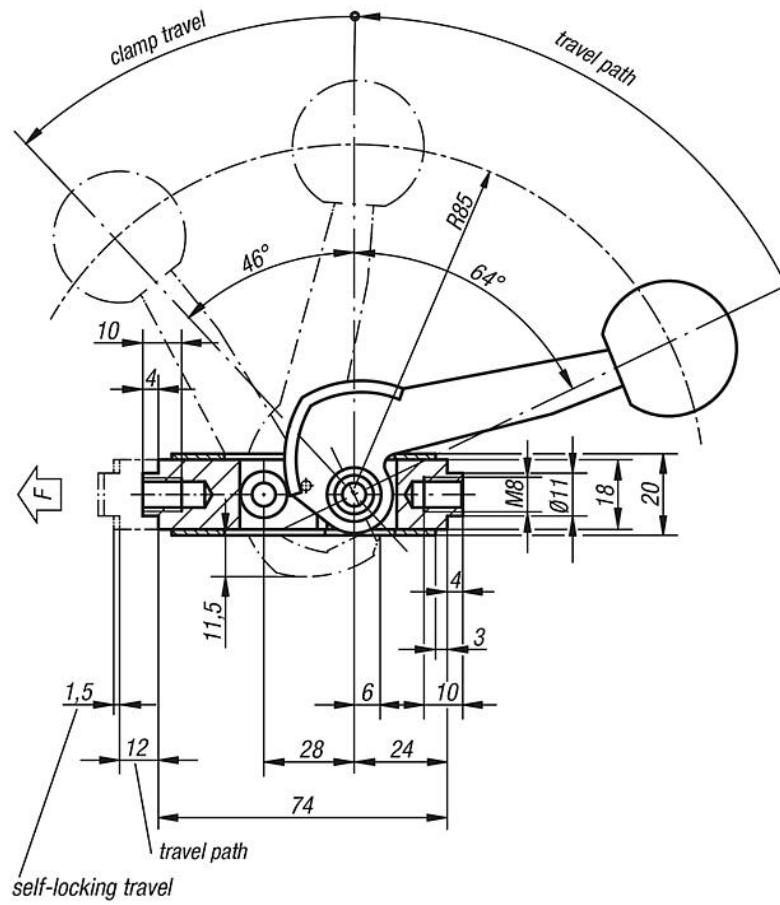
Several standard parts have been developed to achieve individual adaptation for various circumstances and are available as optional accessories.

The thrust pad and all parts of the cam system subject to heavy loads are case-hardened.

The maximum permissible clamping force is approximately 4905 N.

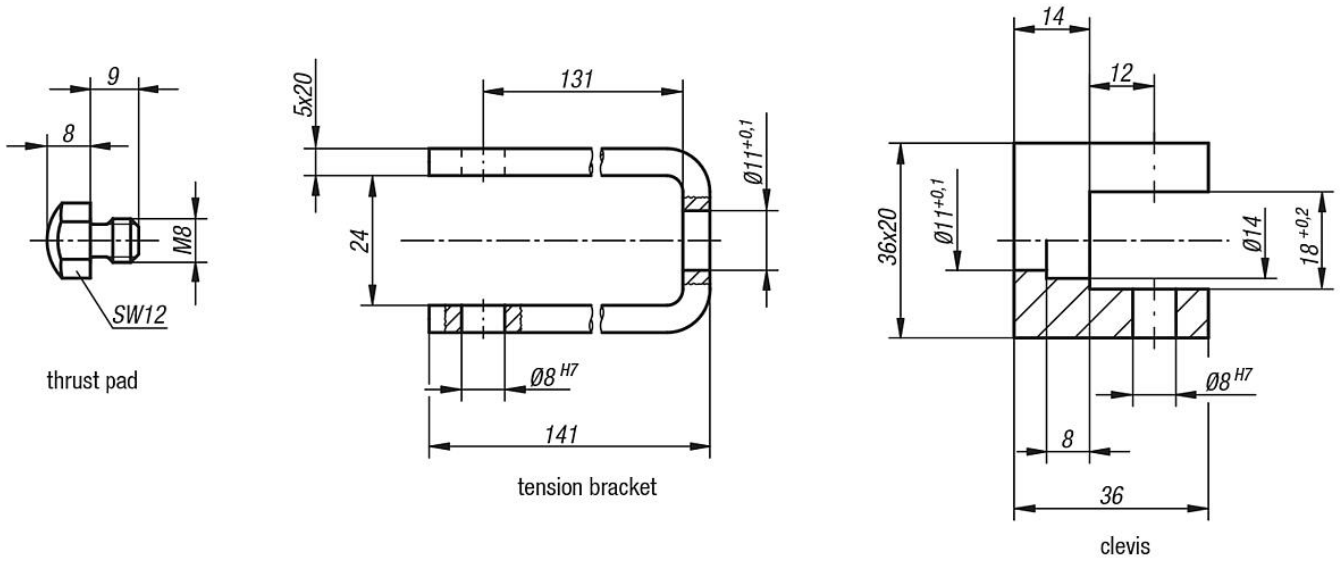
# Clamping element "arness"

Drawings



# Clamping element “arness”

## Drawings



## Overview of items

### Clamping element “arness”

Order No.	Dimensions
K0021.01	see drawing

### “arness” accessories

Order No.	Item
K0021.02	Clevis
K0021.03	Tension bracket
K0021.04	Thrust pad