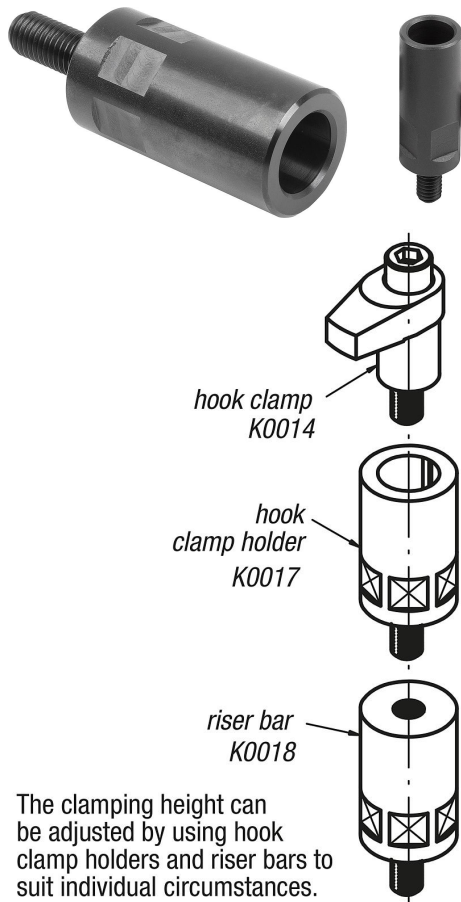


# Hook clamp holders

## Item description/product images



The clamping height can be adjusted by using hook clamp holders and riser bars to suit individual circumstances.

## Description

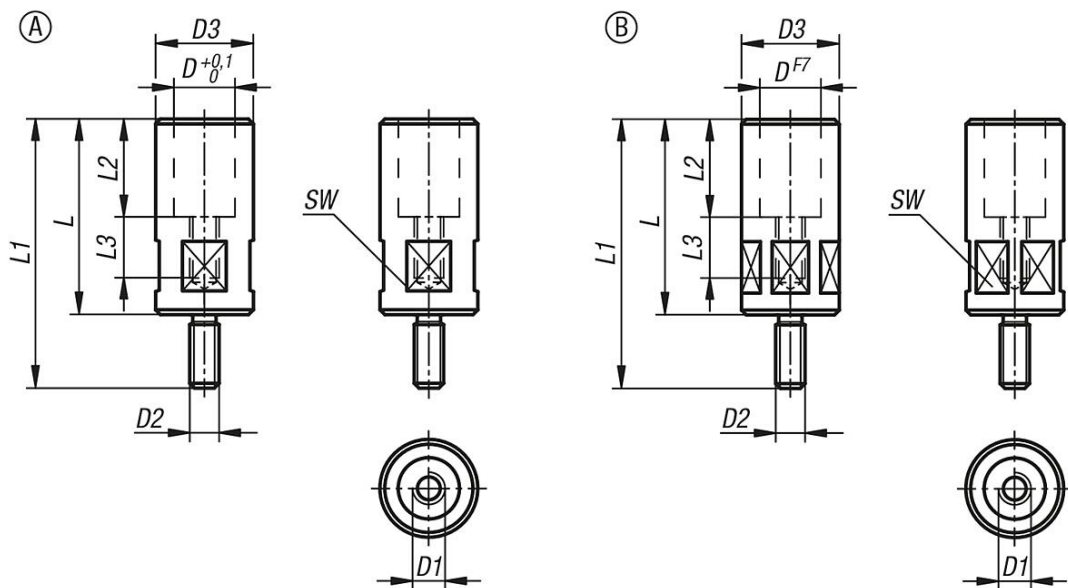
**Material:**  
Carbon steel.

**Version:**  
Black oxidised.

**Note:**  
Hook clamp holders are for holding and raising hook clamps.

**Accessory:**  
Hook clamps K0014.  
Extensions for jack screws K0018.

## Drawings



## Overview of items

### Hook clamp holders

## Hook clamp holders

### Overview of items

Order No.	Form	Form definition	D	D1	D2	D3	L	L1	L2	L3	SW	Tightening torque max. Nm
K0017.04035	A	with square	10	M4	M6	14	35	46	16	13	12	2,7
K0017.06040	A	with square	12	M6	M8	16	40	54	19	14	13	7
K0017.08055	B	with hexagon	18	M8	M8	24	55	74	25	20	22	29,4
K0017.10063	B	with hexagon	20	M10	M12	32	63	93	30	21	30	39,2
K0017.10080	B	with hexagon	20	M10	M12	32	80	110	30	23	30	39,2
K0017.12080	B	with hexagon	25	M12	M12	40	80	110	40	25	36	49
K0017.12100	B	with hexagon	25	M12	M12	40	100	130	40	28	36	49
K0017.16080	B	with hexagon	32	M16	M16	50	80	110	40	25	46	78,4
K0017.16100	B	with hexagon	32	M16	M16	50	100	130	40	28	46	78,4