

## Centring pins for aligning hole

### Item description/product images



### Description

**Material:**

Steel.

**Version:**

Case-hardened.

Toleranced diameter ground.

**Note:**

Form A

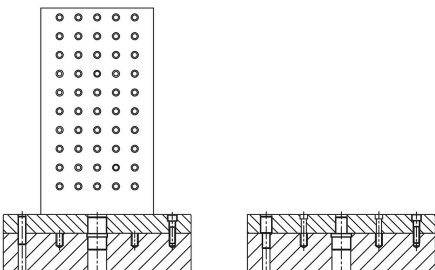
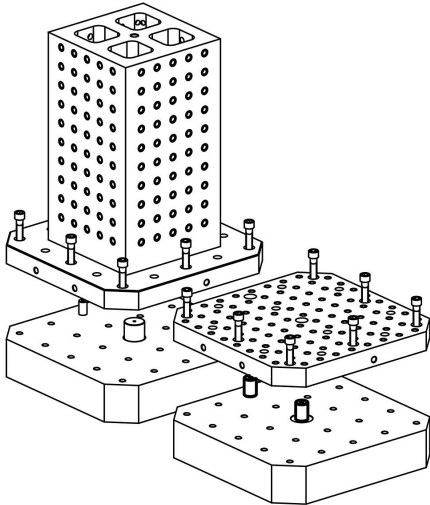
Locating pin for baseplates with grid holes.

Form B

Locating pin for baseplates with T-slots.

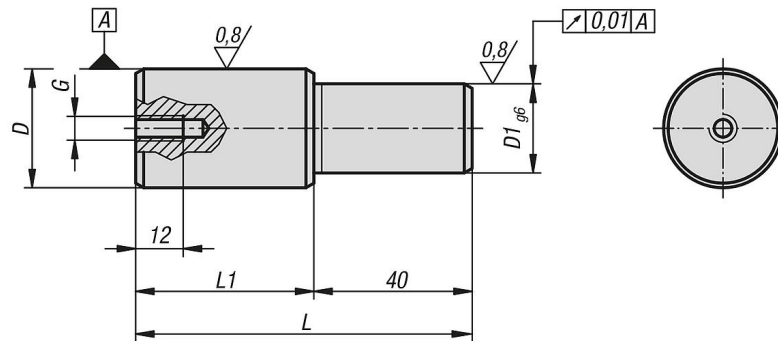
**Accessory:**

Subplates K0806.



# Centring pins for aligning hole

## Drawings



## Overview of items

### Centering pins for aligning hole

Order No.	Form	D	D1	G	L	L1
K0858.2520	A	25 g6	20	M6	75	35
K0858.3020	A	30 h6	20	M6	85	45
K0858.3025	A	30 h6	25	M6	85	45
K0858.30201	B	30h6	20	M8	75	35