

Latches, snap locks, slam latches



Latches

with spring clip



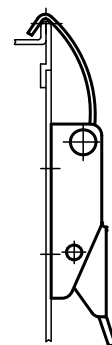
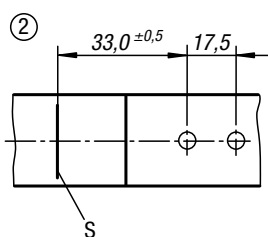
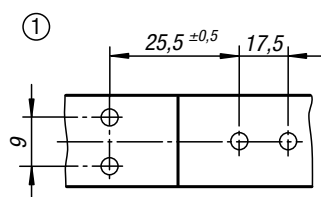
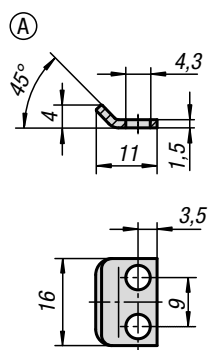
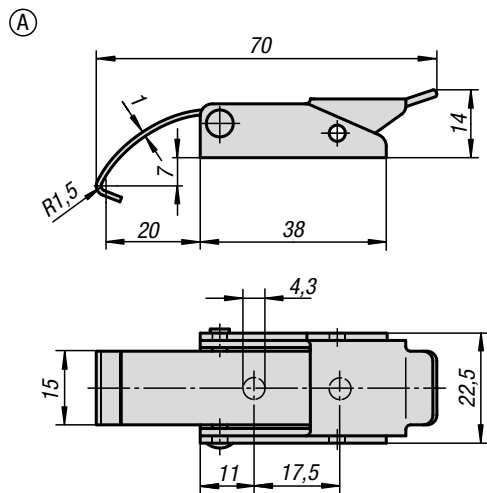
Material:
Steel or stainless steel 1.4301.

Version:
Steel trivalent blue passivated.
Stainless steel bright.

Sample order:
Latch K0043.1430701
Catch plate K0043.9143111

Drawing reference:
1) Hole arrangement for mounting with catch plate
2) Hole arrangement for mounting without catch plate

S = contact edge



KIPP Latches with spring clip

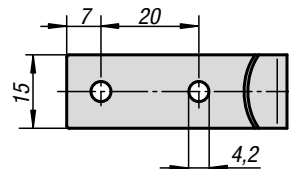
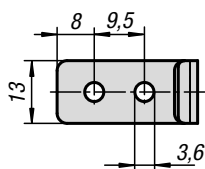
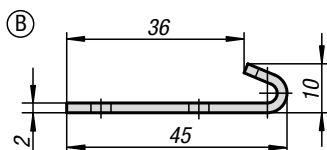
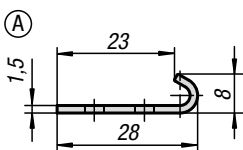
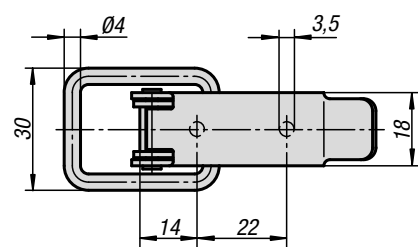
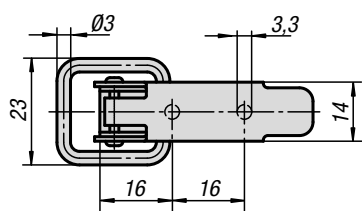
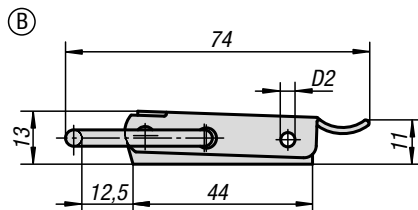
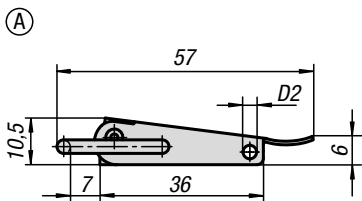
Order No. steel	Order No. stainless steel	Form	Retaining force F1 N
K0043.1430701	K0043.1430702	A	500

KIPP Catch plates

Order No. steel	Order No. stainless steel	Form
K0043.9143111	K0043.9143112	A

Latches

with draw bail



Material:

Steel or stainless steel 1.4301.

Version:

Steel trivalent blue passivated.
Stainless steel bright.

Sample order:

Latch K0044.1330571
Catch plate K0044.9136281

Note:

Latches with draw bail for securing and locking hatches, container lids, machine cladding etc. By exceeding the dead centre they resist vibration. The fastening force is applied by drawing on the bail.

The hole D2 can be used to secure against unintentional opening or attaching an official lead seal.

The latches can be screwed down or riveted.

Order catch plates separately.

The retaining force F1 applies to the latch, not the catch plate.



KIPP Latches with draw bail

Order No. steel	Order No. stainless steel	Form	D2	Retaining force F1 N
K0044.1330571	K0044.1330572	A	2,8	1000
K0044.2350741	K0044.2350742	B	3,2	2000

KIPP Catch plates

Order No. steel	Order No. stainless steel	Form
K0044.9136281	K0044.9136282	A
K0044.9242451	K0044.9242452	B

Latch stainless steel

DIN 3133



Material:

Stainless steel 1.4301.

Version:

Vibratory ground.

Sample order:

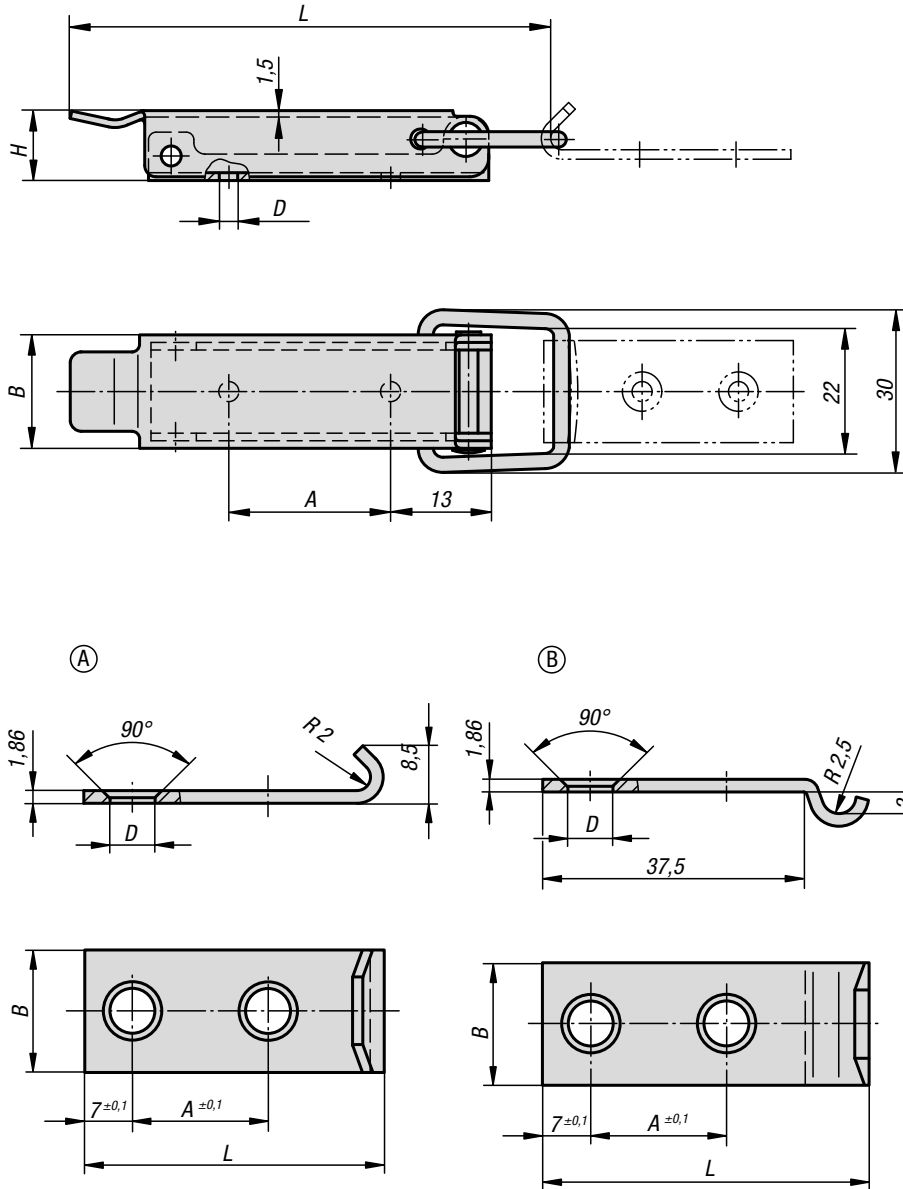
Latch K1336.350742

Catch plate K1336.91460442

Note:

For quickly locking vertical or horizontal lids and hatches.

With security seal possibility.



KIPP Latch stainless steel DIN 3133

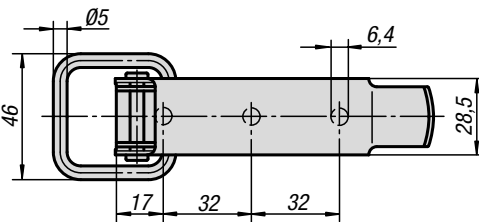
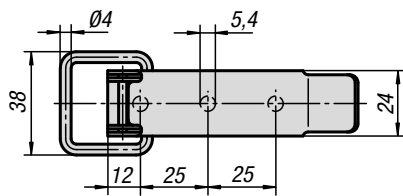
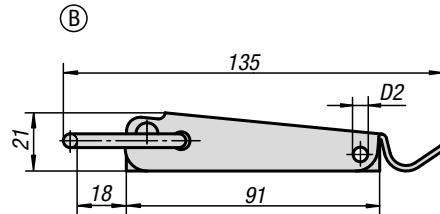
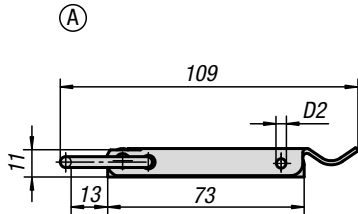
Order No.	L	B	H	A	D
K1336.350742	70	18	12	22	3,5

KIPP Catch plates

Order No.	Form	L	B	A	D
K1336.91460442	A	44	18	20	4,8
K1336.92460482	B	48	18	20	4,8

Latches

with draw bail



Material:
Steel or stainless steel 1.4301.

Version:
Steel trivalent blue passivated.
Stainless steel bright.

Sample order:
Latch K0045.1541091
Catch plate K0045.9143371

Note:
Latches with draw bail for securing and locking hatches, container lids, machine cladding etc. By exceeding the dead centre they resist vibration. The fastening force is applied by drawing on the bail.

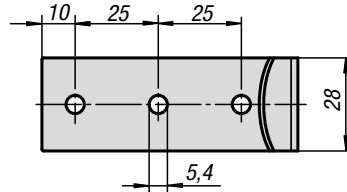
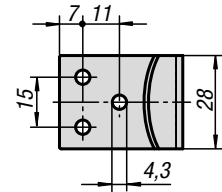
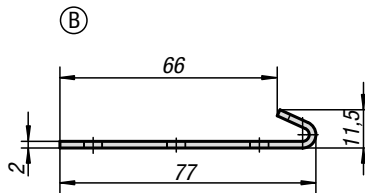
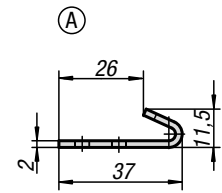
The hole D2 can be used to secure against unintentional opening or attaching an official lead seal.

The latches can be screwed down or riveted.

Order catch plates separately.

The retaining force F1 applies to the latch, not the catch plate.

On request:
Lockable version with padlock bracket.



KIPP Latches with draw bail

Order No. steel	Order No. stainless steel	Form	D2	Retaining force F1 N
K0045.1541091	K0045.1541092	A	3,2	2000
K0045.2641351	K0045.2641352	B	3,8	3000

KIPP Catch plates

Order No. steel	Order No. stainless steel	Form
K0045.9143371	K0045.9143372	A
K0045.9254771	K0045.9254772	B

Latches adjustable

fastening holes accessible



Material:

Steel or stainless steel 1.4301.

Version:

Steel trivalent blue passivated.
Stainless steel bright.

Sample order:

Latch K0046.1420721
Catch plate K0046.9142141

Note:

Adjustable latches are secure locking systems for industrial applications. By exceeding the dead centre they resist vibration.

After the hook is engaged with the catch plate, the parts to be locked can be drawn together by up to 5 mm by pushing the lever down.

To compensate for tolerances or to create enough tension, the hook length can be adjusted using the M5 threaded spindle.

The latches can be screwed down or riveted.

Any catch plate can be combined with any latch.

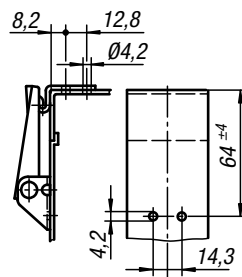
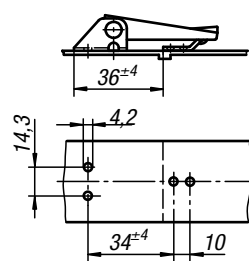
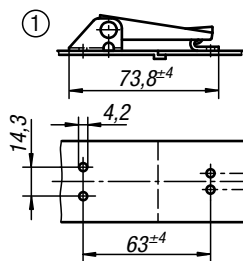
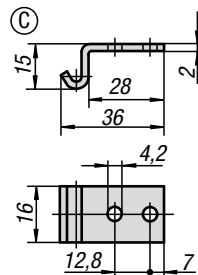
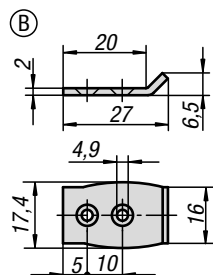
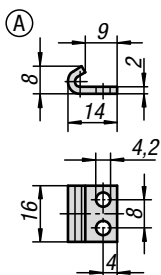
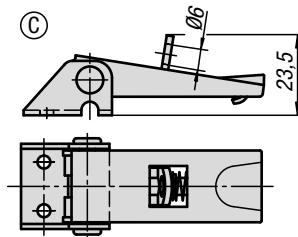
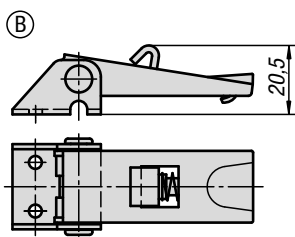
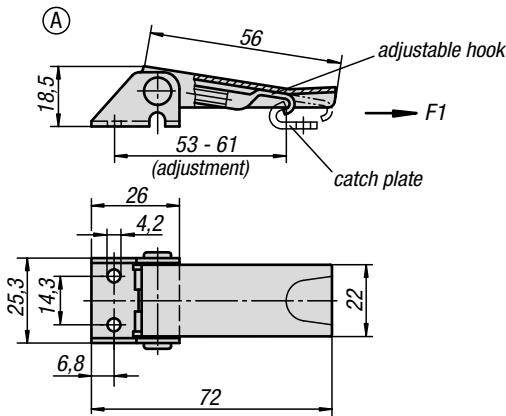
Order required catch plate version separately.

The retaining force F1 applies to the latch, not the catch plate.

Drawing reference:

Form A standard
Form B with safety catch
Form C with padlock bracket

1) Hole arrangements for assembly with catch plate



KIPP Latches adjustable, fastening holes accessible

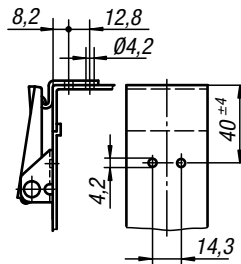
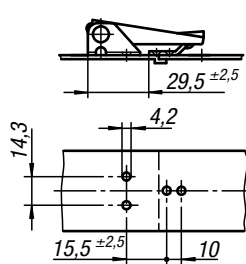
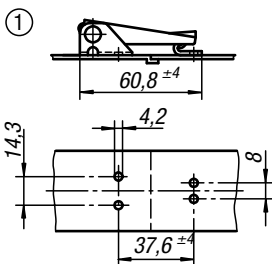
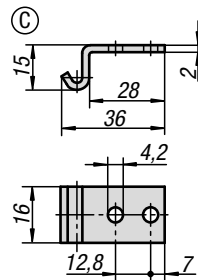
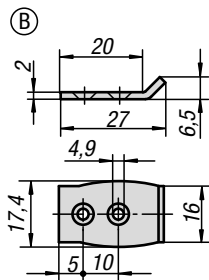
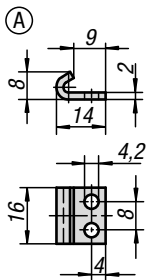
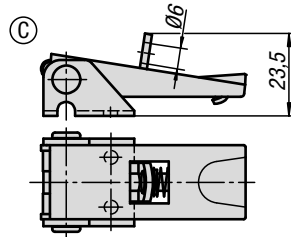
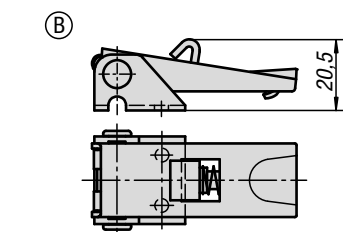
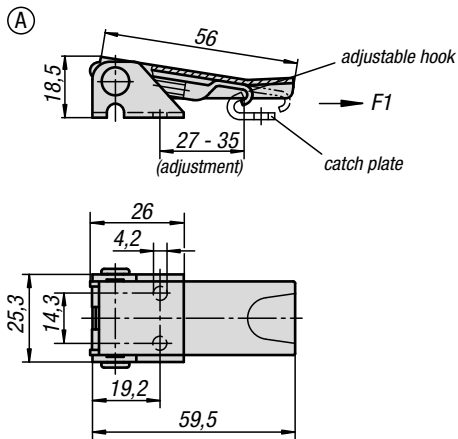
Order No. steel	Order No. stainless steel	Form	Retaining force F1 N
K0046.1420721	K0046.1420722	A	1000
K0046.2420721	K0046.2420722	B	1000
K0046.3420721	K0046.3420722	C	1000

KIPP Catch plates

Order No. steel	Order No. stainless steel	Form
K0046.9142141	K0046.9142142	A
K0046.9242271	K0046.9242272	B
K0046.9342381	K0046.9342382	C

Latches adjustable

fastening holes covered



Material:

Steel or stainless steel 1.4301.

Version:

Steel trivalent blue passivated.
Stainless steel bright.

Sample order:

Latch K0047.1420601
Catch plate K0046.9142141

Note:

Adjustable latches are secure locking systems for industrial applications. By exceeding the dead centre they resist vibration.

After the hook is engaged with the catch plate, the parts to be locked can be drawn together by up to 5 mm by pushing the lever down.

To compensate for tolerances or to create enough tension, the hook length can be adjusted using the M5 threaded spindle.

The latches can be screwed down or riveted.

Any catch plate can be combined with any latch.

Order required catch plate version separately.

The retaining force F1 applies to the latch, not the catch plate.

Drawing reference:

Form A standard
Form B with safety catch
Form C with padlock bracket

1) Hole arrangements for assembly with catch plate

KIPP Latches adjustable, fastening holes covered

Order No. steel	Order No. stainless steel	Form	Retaining force F1 N
K0047.1420601	K0047.1420602	A	1000
K0047.2420601	K0047.2420602	B	1000
K0047.3420601	K0047.3420602	C	1000

KIPP Catch plates

Order No. steel	Order No. stainless steel	Form
K0046.9142141	K0046.9142142	A
K0046.9242271	K0046.9242272	B
K0046.9342381	K0046.9342382	C

Latches adjustable

fastening holes accessible



Material:
Steel or stainless steel 1.4301.

Version:
Steel trivalent blue passivated.
Stainless steel bright.

Sample order:
Latch K0048.1631391
Catch plate K0048.9163281

Note:
Adjustable latches are secure locking systems for industrial applications. By exceeding the dead center they resist vibration. These latches are very robust and have a low overall height.

After the hook is engaged with the catch plate, the parts to be locked can be drawn together by up to 6 mm by pushing the lever down. To compensate for tolerances or to create enough tension, the hook length can be adjusted using the M6 threaded spindle.

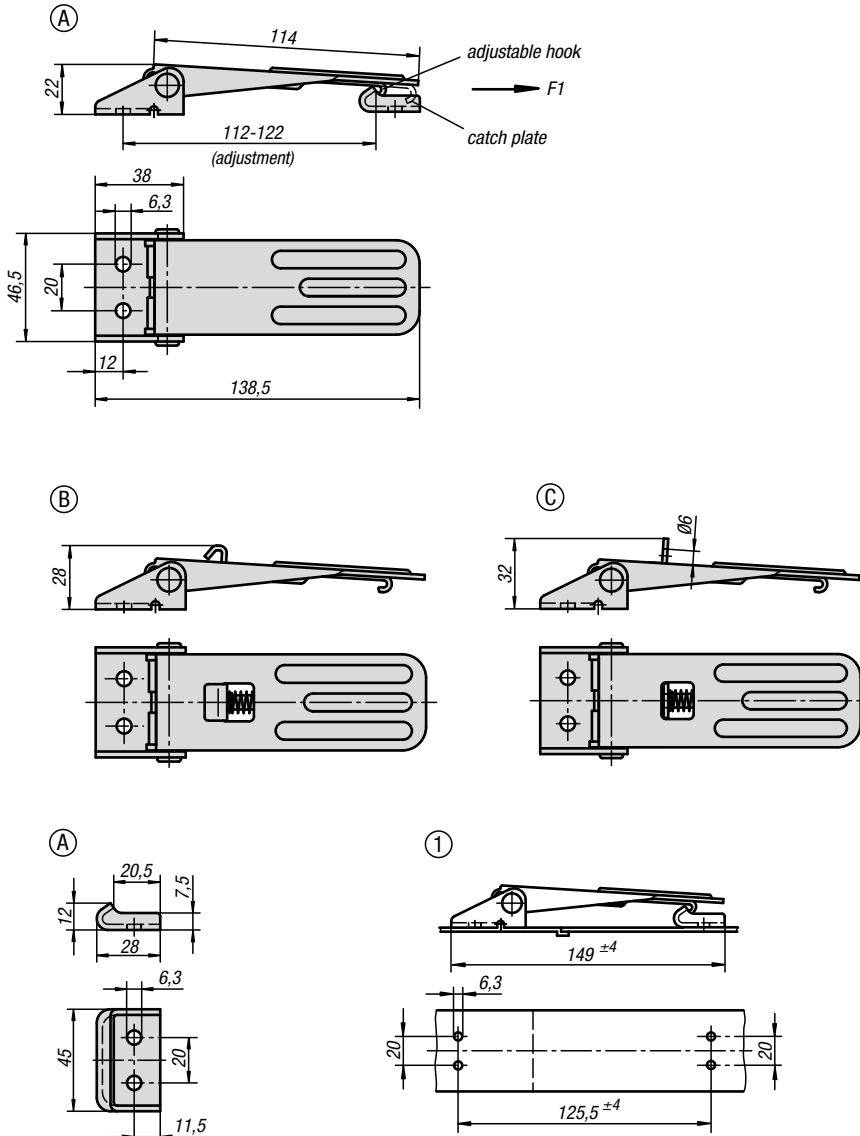
The latches can be screwed down or riveted.

Order required catch plate separately.

The retaining force F1 applies to the latch, not the catch plate.

Drawing reference:
Form A standard
Form B with lock
Form C with padlock hole

1) Hole arrangement for assembly with catch plate



KIPP Latches adjustable, fastening holes accessible

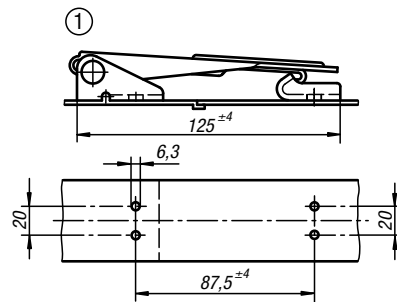
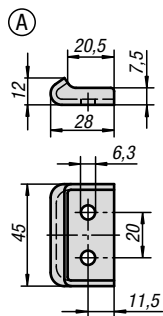
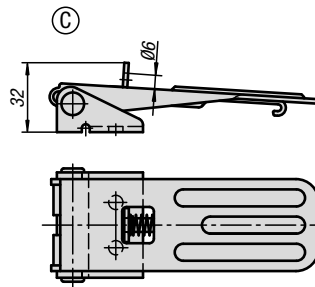
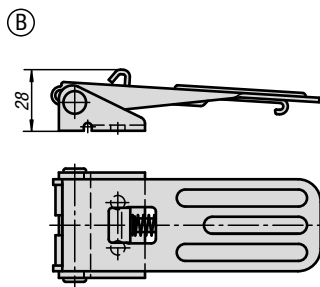
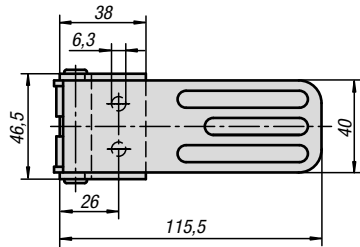
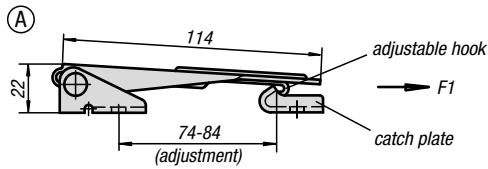
Order No. steel	Order No. stainless steel	Form	Retaining force F1 N
K0048.1631391	K0048.1631392	A	4000
K0048.2631391	K0048.2631392	B	4000
K0048.3631391	K0048.3631392	C	4000

KIPP Catch plates

Order No. steel	Order No. stainless steel	Form
K0048.9163281	K0048.9163282	A

Latches adjustable

fastening holes covered



Material:

Steel or stainless steel 1.4301.

Version:

Steel trivalent blue passivated.
Stainless steel bright.

Sample order:

Latch K0049.1631161
Catch plate K0048.9163281

Note:

Adjustable latches are secure locking systems for industrial applications. By exceeding the dead center they resist vibration. These latches are very robust and have a low overall height.

After the hook is engaged with the catch plate, the parts to be locked can be drawn together by up to 6 mm by pushing the lever down. To compensate for tolerances or to create enough tension, the hook length can be adjusted using the M6 threaded spindle.

The latches can be screwed down or riveted.

Order required catch plate separately.

The retaining force F1 applies to the latch, not the catch plate.

Drawing reference:

Form A standard
Form B with lock
Form C with padlock hole

1) Hole arrangement for assembly with catch plate

KIPP Latches adjustable, fastening holes covered

Order No. steel	Order No. stainless steel	Form	Retaining force F1 N
K0049.1631161	K0049.1631162	A	4000
K0049.2631161	K0049.2631162	B	4000
K0049.3631161	K0049.3631162	C	4000

KIPP Catch plates

Order No. steel	Order No. stainless steel	Form
K0048.9163281	K0048.9163282	A

Latches with release

stainless steel

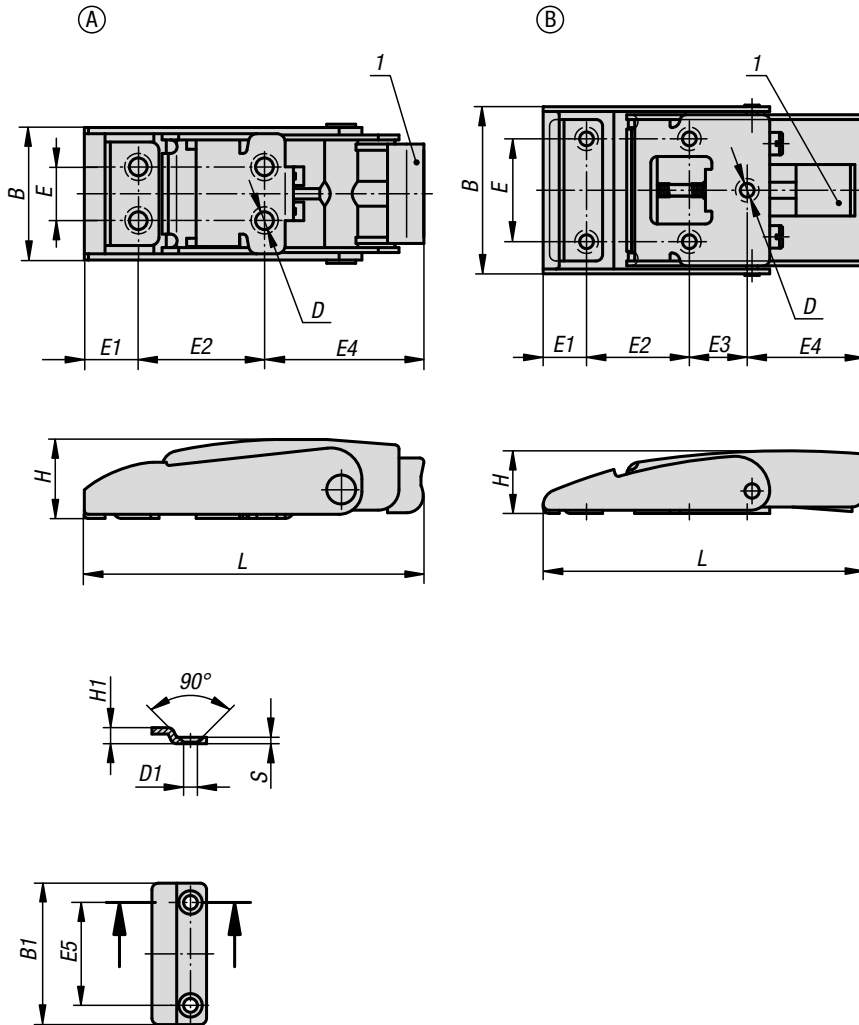


Material:
Stainless steel 1.4301.

Version:
Bright.
The latch surface is satin finished.

Sample order:
K1357.43082

Drawing reference:
1) Release



KIPP Latches with release stainless steel

Order No.	Form	L	E	E1	E2	E3	E4	B	H	D	B1	E5	H1	D1	S
K1357.43082	A	82	13	13,5	30	-	38,5	33,6	19,5	4,3	25	13	5	4,3	2
K1357.43100	B	100	32	13,5	32	18	36,5	53	19,5	4,3	44	32	5	4,3	2

Latches adjustable

with swing bail



Material:

Steel or stainless steel 1.4301.

Version:

Steel trivalent blue passivated.
Stainless steel bright.

Sample order:

Latch K0050.1421121

Catch plate K0050.9135211

Note:

Adjustable latches are secure locking systems for industrial applications. By exceeding the dead center they resist vibration. To compensate for tolerances the latch has a swing mounted bail.

After the bail is engaged with the catch plate, the parts to be locked can be drawn together by up to 15 mm by pushing the lever down. To compensate for tolerances or to create enough tension the bail length can be adjusted by the M6 threaded spindle.

The latches can be screwed down or riveted. We recommend using countersunk screws for fastening the components.

Order catch plates separately.

The retaining force F1 applies to the latch, not the catch plate.

On request:

Available with safety catch to prevent springing open.

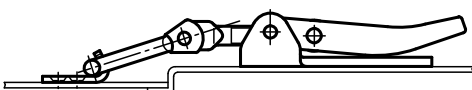
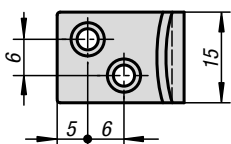
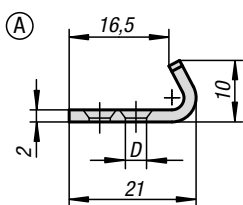
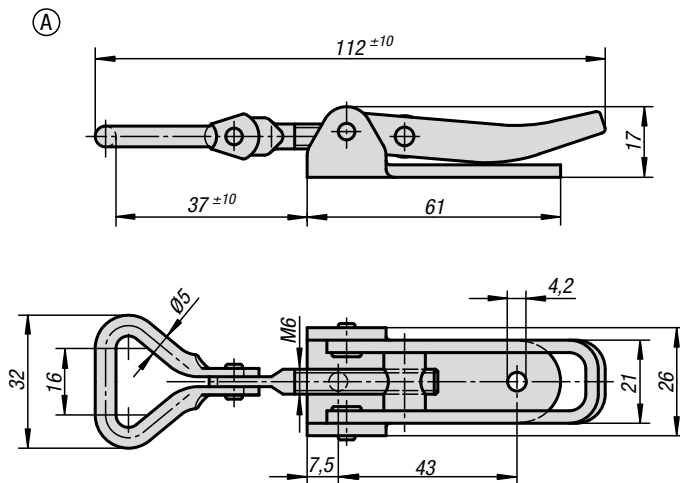
Accessories:

K0044.9242451

K0044.9242452

Applications:

We recommend using countersunk screws for fastening the components.



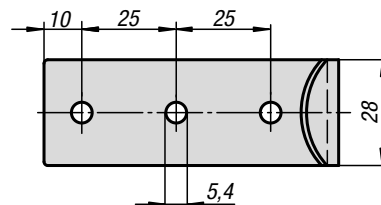
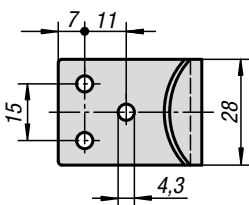
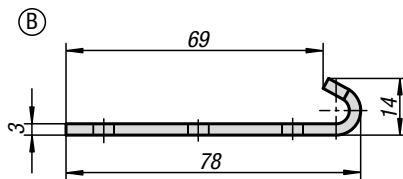
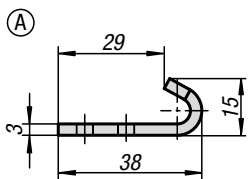
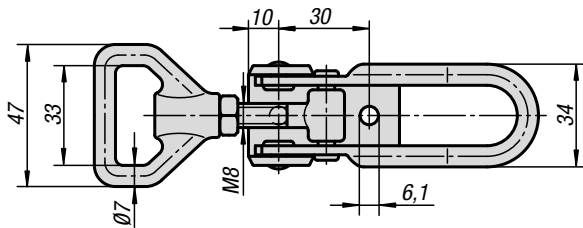
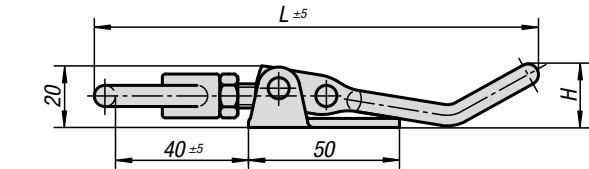
KIPP Latches adjustable, with swing bail

Order No. steel	Order No. stainless steel	Form	Retaining force F1 N
K0050.1421121	K0050.1421122	A	1000

KIPP Catch plates

Order No. steel	Order No. stainless steel	Form	D
K0050.9135211	K0050.9135212	A	3,7

Latches adjustable



Material:

Steel or stainless steel 1.4301.

Version:

Steel trivalent blue passivated.
Stainless steel bright.

Sample order:

Latch K0051.1611451
Catch plate K0051.9143381

Note:

Adjustable latches are secure locking systems for industrial applications. By exceeding the dead center they resist vibration.

After the bail engages with the catch plate, the parts to be locked can be drawn together by up to 15 mm by pushing the lever down. To compensate for tolerances or to create enough tension the bail length can be adjusted using the M8 spindle.

The latches can be screwed down or riveted. We recommend using countersunk screws for fastening the components.

Order the required catch plate version separately.

The retaining force F1 applies to the latch, not the catch plate.

On request:

Lockable version with padlock bracket.

Applications:

We recommend using countersunk screws for fastening the components.

KIPP Latches adjustable

Order No. steel	Order No. stainless steel	H	L	Retaining force F1 N
K0051.1611451	K0051.1611452	21	145	6500
K0051.1611681	K0051.1611682	36	168	6500

KIPP Catch plates

Order No. steel	Order No. stainless steel	Form
K0051.9143381	K0051.9143382	A
K0051.9254781	K0051.9254782	B

Latches adjustable

heavy-duty version



Material:
Steel.

Version:
Trivalent blue passivated.
Catch plate Form B (weldable), bright.

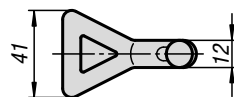
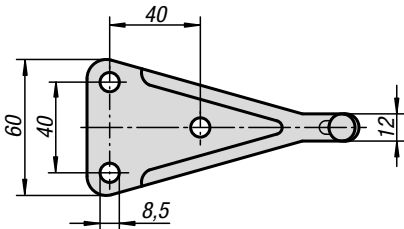
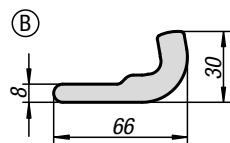
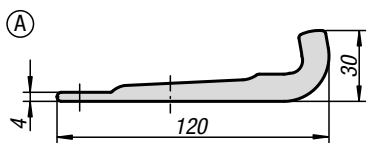
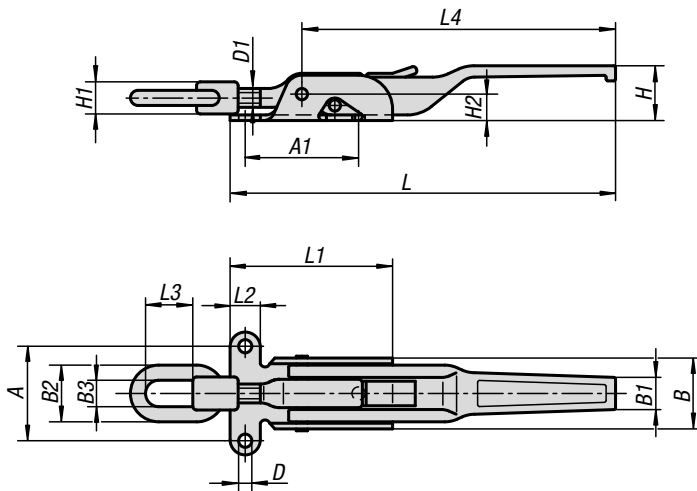
Sample order:
Latch K0052.1702041
Catch plate K0052.91851201

Note:
Heavy-duty forged latches for high tensile loads. Primarily used on utility vehicles, agricultural and construction machinery. A ratchet prevents unintentional opening when closed.

To compensate for tolerances or to create enough tension the bail can be adjusted using the spindle D1.

Order required catch plate version separately.

The retaining force F1 applies to the latch, not the catch plate.



KIPP Latches adjustable, heavy-duty version

Order No.	A	A1	B	B1	B2	B3	D	D1	H	H1	H2	L	L1	L2	L3	L4	Retaining force F1 N
K0052.1702041	49	62	37	18	30	14	7	M10	30	17	14	204	86	16	25	165	20000
K0052.1852371	65	82	50	20	36	15	8,5	M14x1,5	32	20	18	237	104	21	40	190	30500

KIPP Catch plates

Order No.	Form
K0052.91851201	A
K0052.92000601	B

Remote release, zinc



Material:

Grip and housing die-cast zinc.

Version:

Grip and housing powder-coated black or silver.

Sample order:

K1481.2111114511

Note:

When the grip is pulled out, hatches, covers, hoods or doors can be opened remotely and invisibly via Bowden cable.

The lockable releases are each supplied with 2 keys. The key can be removed in both positions (open and closed). The locks have a single key system, i.e. every lock can be opened with the same key. The Bowden cable is not included.

Application:

The remote actuation is used where tight spaces make actuation difficult or where remote actuation is required for ergonomic or safety reasons.

Assembly:

Form A: rear.

Form B: front.

Advantages:

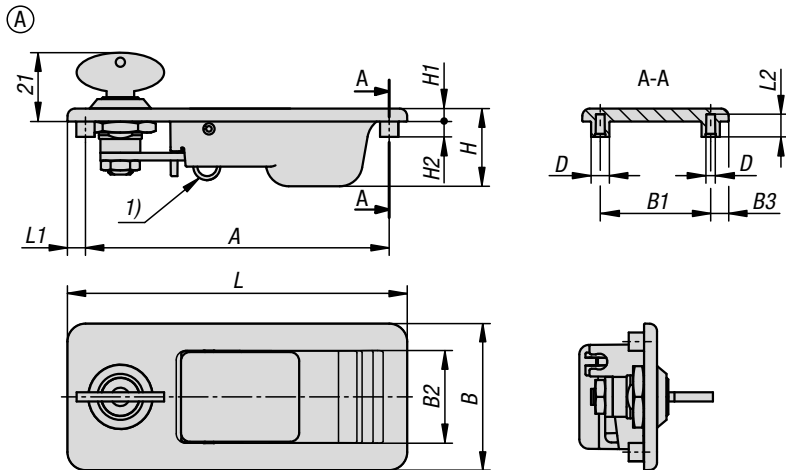
Actuation possible in inaccessible assembly spaces. Ergonomically optimised actuating position possible. Actuation possible even when safety distances are required.

Accessories:

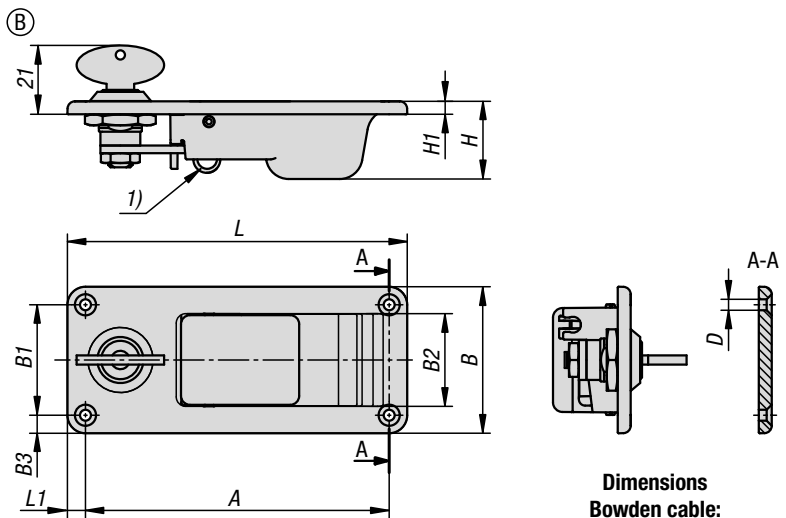
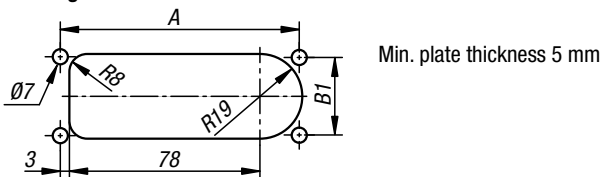
Bowden cable K1646.

Drawing reference:

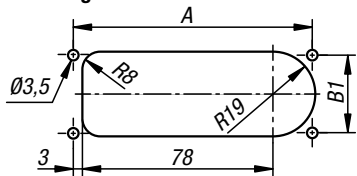
1) Bowden cable link



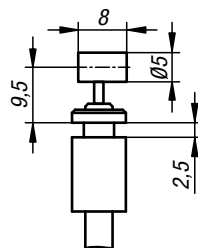
Mounting cutout



Mounting cutout



Dimensions Bowden cable:

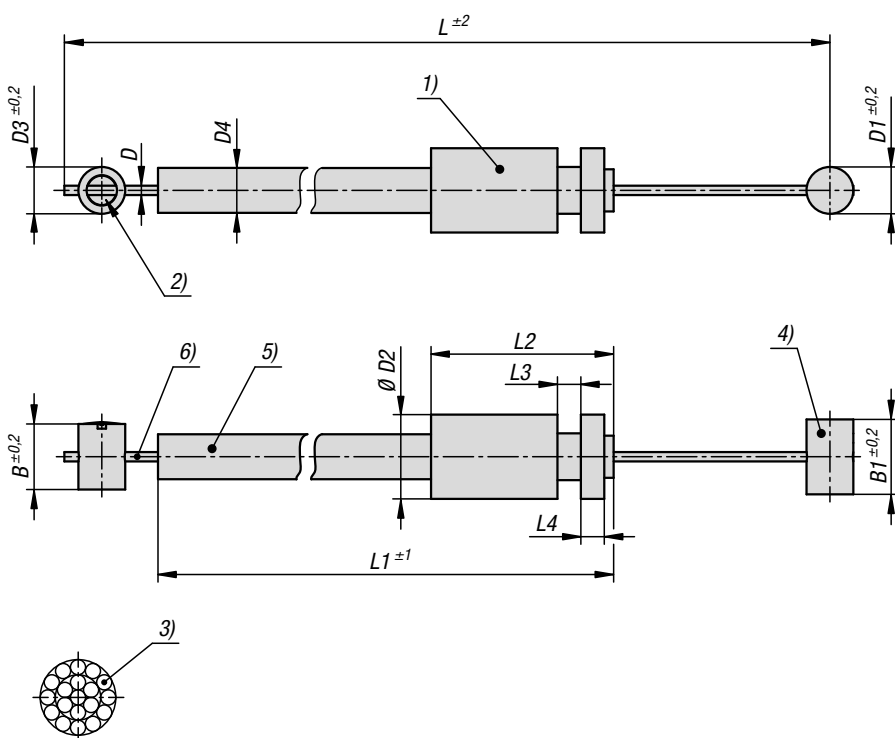


KIPP Remote release, zinc

Order No.	Version 1	Form	Main colour	Component colour	A	B	B1	B2	B3	D	D1	H	H2	L	L1	L2	Assembly
K1481.2111114511	with lock	A	black	black	99	47,9	36	30,1	6	2,65	6	25,5	5	110,9	6	7,4	mounting from the rear
K1481.2101114511	with lock	B	black	black	99	47,9	36	30,1	6	3,4	-	25,5	-	110,9	6	-	mounting from the front
K1481.2111114510	with lock	A	silver	silver	99	47,9	36	30,1	6	2,65	6	25,5	5	110,9	6	7,4	mounting from the rear
K1481.2101114510	with lock	B	silver	silver	99	47,9	36	30,1	6	3,4	-	25,5	-	110,9	6	-	mounting from the front
K1481.2111114512	with lock	A	black	silver	99	47,9	36	30,1	6	2,65	6	25,5	5	110,9	6	7,4	mounting from the rear
K1481.2101114512	with lock	B	black	silver	99	47,9	36	30,1	6	3,4	-	25,5	-	110,9	6	-	mounting from the front
K1481.2111114521	with lock	A	silver	black	99	47,9	36	30,1	6	2,65	6	25,5	5	110,9	6	7,4	mounting from the rear
K1481.2101114521	with lock	B	silver	black	99	47,9	36	30,1	6	3,4	-	25,5	-	110,9	6	-	mounting from the front

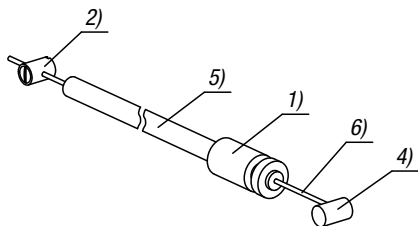
Order No.	Version 1	Form	Main colour	Component colour	A	B	B1	B2	B3	D	D1	H	H2	L	L1	L2	Assembly
K1481.2011114511	without lock	A	black	black	99	47,9	36	30,1	6	2,65	6	25,5	5	110,9	6	7,4	mounting from the rear
K1481.2001114511	without lock	B	black	black	99	47,9	36	30,1	6	3,4	-	25,5	-	110,9	6	-	mounting from the front
K1481.2011114510	without lock	A	silver	silver	99	47,9	36	30,1	6	2,65	6	25,5	5	110,9	6	7,4	mounting from the rear
K1481.2001114510	without lock	B	silver	silver	99	47,9	36	30,1	6	3,4	-	25,5	-	110,9	6	-	mounting from the front
K1481.2011114512	without lock	A	black	silver	99	47,9	36	30,1	6	2,65	6	25,5	5	110,9	6	7,4	mounting from the rear
K1481.2001114512	without lock	B	black	silver	99	47,9	36	30,1	6	3,4	-	25,5	-	110,9	6	-	mounting from the front
K1481.2011114521	without lock	A	silver	black	99	47,9	36	30,1	6	2,65	6	25,5	5	110,9	6	7,4	mounting from the rear
K1481.2001114521	without lock	B	silver	black	99	47,9	36	30,1	6	3,4	-	25,5	-	110,9	6	-	mounting from the front

Bowden cables



Drawing reference:

- 1) Sleeve
- 2) Screw nipple
- 3) Body 1x19
- 4) Nipple
- 5) Sheath
- 6) Wire cable



Material:

Wire cable stainless steel.
 Sheath, steel wire with inner and outer plastic coating.
 Sleeve POM.
 Nipple Zamac.
 Screw nipple steel.

Version:

Bowden cable sheath and sleeve black.
 Screw nipple electro zinc-plated.

Sample order:

K1646.11X10500

Note:

Bowden cables transfer the traction force and are used in combination with a release as a remote control. There are different lengths available to select from. The Bowden cable can be shortened as required during installation to ensure a perfect fit in the respective application.

Note the following points when installing Bowden cables:

The length of the free end of the cable can change due to layout angle, bend radius and load factors.

When laying the cable, take particular care to ensure that the bend radius is not below the minimum value, which in this case is $R = 65 \text{ mm}$. A too small radius can lead to increased wear and higher friction. During installation, avoid bending the cable more than the minimum value as this can cause damage to the casing. Also, the casing is designed only to support pressure forces. If pulled too sharply, the inner coil will be stretched and permanently damaged.

Tensile strength 1000 N max.

Supplied with:

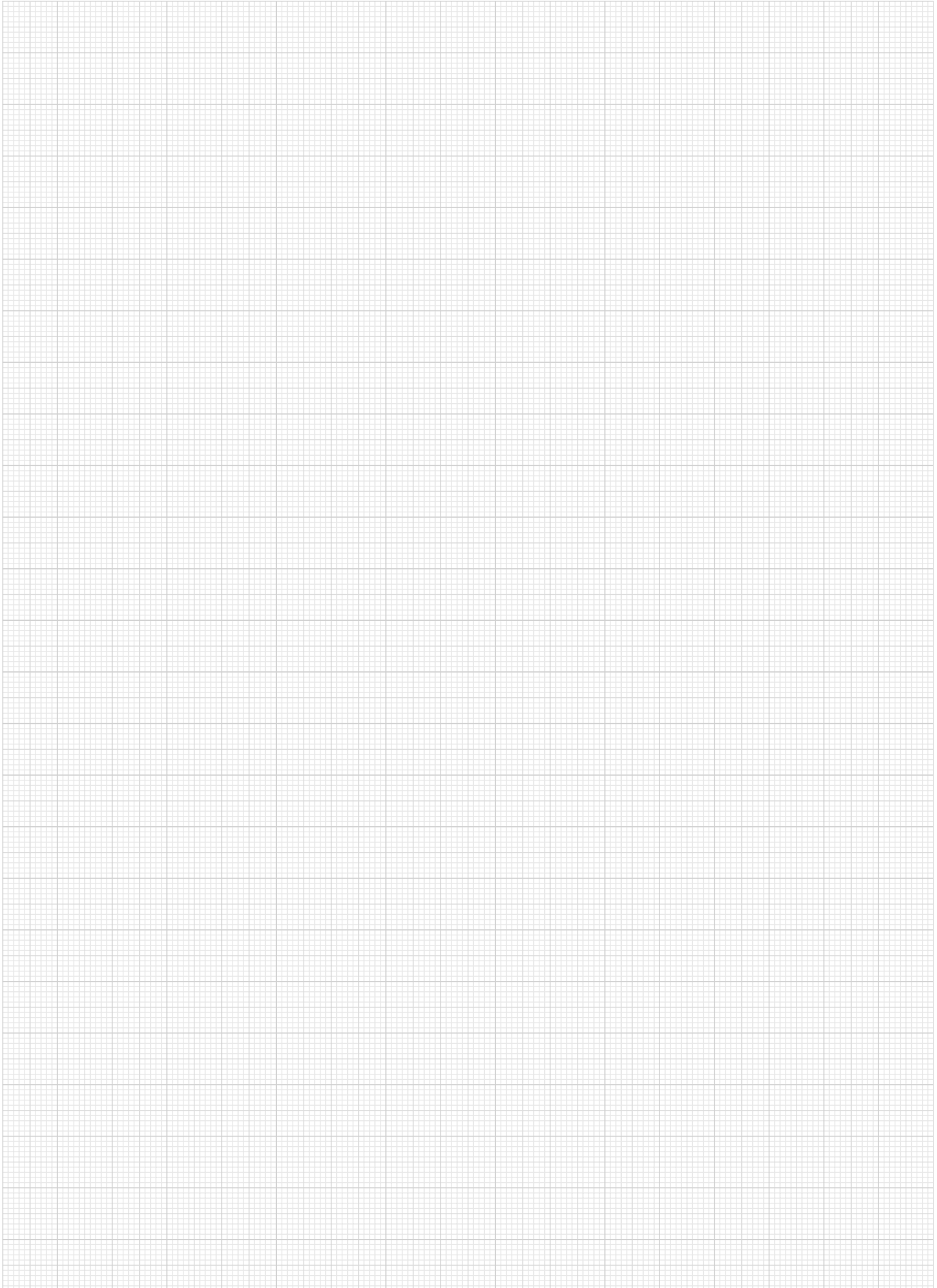
Wire cable with nipple, sheath, sleeve and screw nipple.

Accessories:

Remote release K1481.

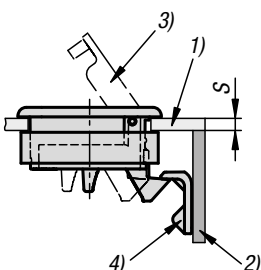
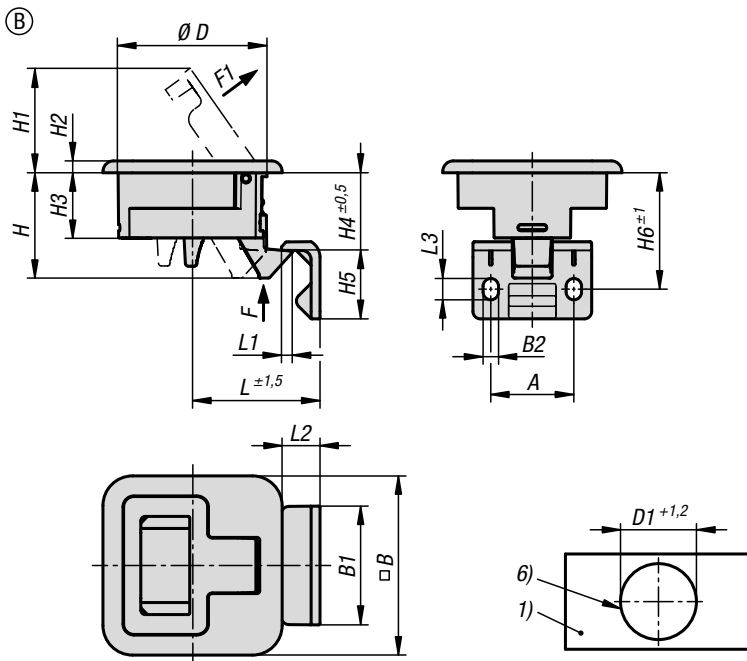
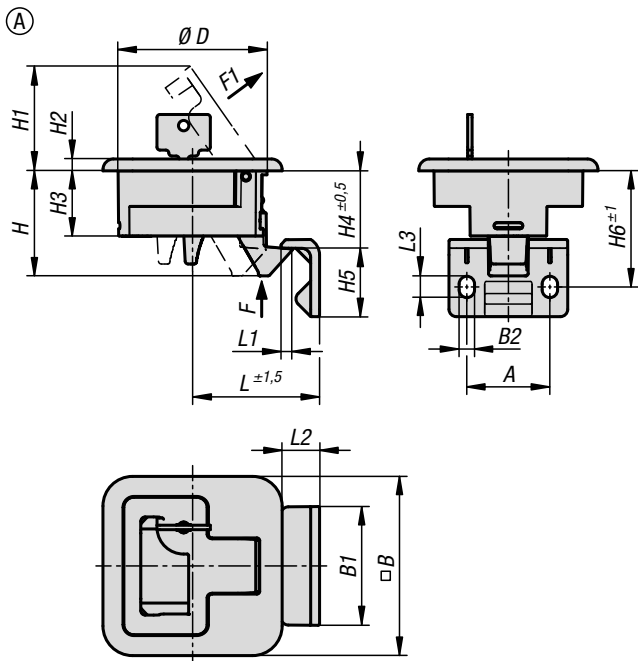
KIPP Bowden cables

Order No.	B	B1	D	D1	D2	D3	D4	L	L1	L2	L3	L4
K1646.11X0500	7	8	1,5	5	9	5	4,8	500	464,4	19,5	2,5	2,5
K1646.11X1000	7	8	1,5	5	9	5	4,8	1000	964,4	19,5	2,5	2,5



Snap locks, plastic

with fold-down grip



Material:
PC/ABS.

Version:
Housing black, white or beige.
Grip black, chromed, white or beige.

Sample order:
K1651.2102356000

Note:
The fold-down grips enable these snap locks to be installed flush into doors, hatches or panels.
Available in different sizes for different door leaf thicknesses.
Additional security with lockable variants.
The spring-loaded grip prevents rattling.

Flammability (plastic version): listed UL94-HB.
Max. torque to tighten the screws: 2 Nm.

Form A: lockable
Form B: not lockable

Method of operation:
When the grip is pulled, the latch retracts and the door can be opened. The door latches automatically when pushed shut. The latch can also be actuated from the rear.

Application:
- Automobile industry
- Medical technology
- Machine construction
- Boat and ship building
- Aviation and aerospace
- Furniture industry

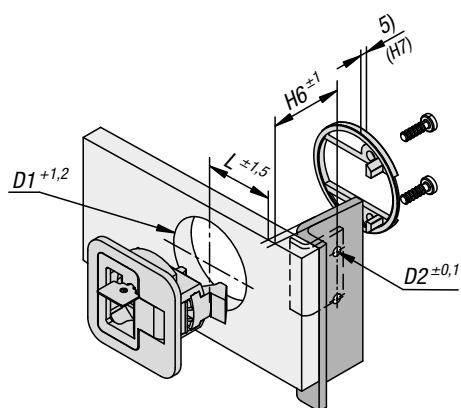
Assembly:
1. Produce a mounting cutout as shown in the drawing.
2. Attach the catch plate.
3. Secure from the rear using the mounting parts supplied.

Supplied with:
Mounting bracket with M5 screws and catch plate.
The lockable snap locks are each supplied with 2 keys.
M5 screws for the catch plate are not supplied.

Drawing reference:
1) Door leaf
2) Frame
3) Grip
4) Catch plate
5) Mounting bracket thickness (see Table H7)
6) Mounting cutout

Snap locks, plastic

with fold-down grip



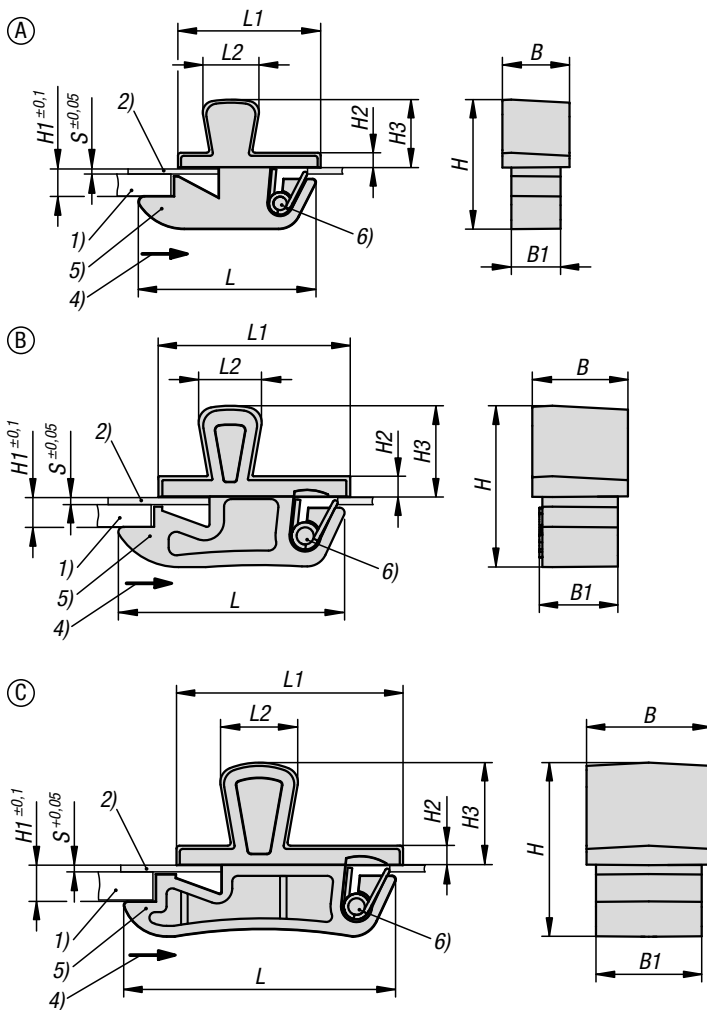
KIPP Snap locks, plastic with fold-down grip

Order No. Form A lockable	Order No. Form B not lockable	Main colour	Component colour	A	B	B1	B2	D	D1	D2	H	H1	H2	H3	H4	H5
K1651.2102356000	K1651.2002356000	black	black	28	60	40	5,2	50	50	5,5	35,41/35,5	35	4	22	26,1/26,2	23
K1651.2107356000	K1651.2007356000	black	black	28	60	40	5,2	50	50	5,5	35,41/35,5	35	4	22	26,1/26,2	23
K1651.2112356000	K1651.2012356000	black	black	28	60	40	5,2	50	50	5,5	35,41/35,5	35	4	22	26,1/26,2	23
K1651.2117356000	K1651.2017356000	black	black	28	60	40	5,2	50	50	5,5	35,41/35,5	35	4	22	26,1/26,2	23
K1651.2102356022	K1651.2002356022	white	white	28	60	40	5,2	50	50	5,5	35,41/35,5	35	4	22	26,1/26,2	23
K1651.2107356022	K1651.2007356022	white	white	28	60	40	5,2	50	50	5,5	35,41/35,5	35	4	22	26,1/26,2	23
K1651.2112356022	K1651.2012356022	white	white	28	60	40	5,2	50	50	5,5	35,41/35,5	35	4	22	26,1/26,2	23
K1651.2117356022	K1651.2017356022	white	white	28	60	40	5,2	50	50	5,5	35,41/35,5	35	4	22	26,1/26,2	23
K1651.2102356033	K1651.2002356033	beige	beige	28	60	40	5,2	50	50	5,5	35,41/35,5	35	4	22	26,1/26,2	23
K1651.2107356033	K1651.2007356033	beige	beige	28	60	40	5,2	50	50	5,5	35,41/35,5	35	4	22	26,1/26,2	23
K1651.2112356033	K1651.2012356033	beige	beige	28	60	40	5,2	50	50	5,5	35,41/35,5	35	4	22	26,1/26,2	23
K1651.2117356033	K1651.2017356033	beige	beige	28	60	40	5,2	50	50	5,5	35,41/35,5	35	4	22	26,1/26,2	23
K1651.2102356001	K1651.2002356001	black	chromed	28	60	40	5,2	50	50	5,5	35,41/35,5	35	4	22	26,1/26,2	23
K1651.2107356001	K1651.2007356001	black	chromed	28	60	40	5,2	50	50	5,5	35,41/35,5	35	4	22	26,1/26,2	23
K1651.2112356001	K1651.2012356001	black	chromed	28	60	40	5,2	50	50	5,5	35,41/35,5	35	4	22	26,1/26,2	23
K1651.2117356001	K1651.2017356001	black	chromed	28	60	40	5,2	50	50	5,5	35,41/35,5	35	4	22	26,1/26,2	23

Order No. Form A lockable	Order No. Form B not lockable	Component colour	H6	H7	L	L1	L2	L3	F=retaining force (N)	Traction force F1 N	Temperature range °C	S = Door thickness in mm	Screws
K1651.2102356000	K1651.2002356000	black	39,2	14	42,9	3,8	12,7	7,2	270	50	-30 to 60	2-7	M5X16
K1651.2107356000	K1651.2007356000	black	39,2	14	42,9	3,8	12,7	7,2	270	50	-30 to 60	7-12	M5X20
K1651.2112356000	K1651.2012356000	black	39,2	3,8	42,9	3,8	12,7	7,2	270	50	-30 to 60	12-17	M5X16
K1651.2117356000	K1651.2017356000	black	39,2	3,8	42,9	3,8	12,7	7,2	270	50	-30 to 60	17-22	M5X20
K1651.2102356022	K1651.2002356022	white	39,2	14	42,9	3,8	12,7	7,2	270	50	-30 to 60	2-7	M5X16
K1651.2107356022	K1651.2007356022	white	39,2	14	42,9	3,8	12,7	7,2	270	50	-30 to 60	7-12	M5X20
K1651.2112356022	K1651.2012356022	white	39,2	3,8	42,9	3,8	12,7	7,2	270	50	-30 to 60	12-17	M5X16
K1651.2117356022	K1651.2017356022	white	39,2	3,8	42,9	3,8	12,7	7,2	270	50	-30 to 60	17-22	M5X20
K1651.2102356033	K1651.2002356033	beige	39,2	14	42,9	3,8	12,7	7,2	270	50	-30 to 60	2-7	M5X16
K1651.2107356033	K1651.2007356033	beige	39,2	14	42,9	3,8	12,7	7,2	270	50	-30 to 60	7-12	M5X20
K1651.2112356033	K1651.2012356033	beige	39,2	3,8	42,9	3,8	12,7	7,2	270	50	-30 to 60	12-17	M5X16
K1651.2117356033	K1651.2017356033	beige	39,2	3,8	42,9	3,8	12,7	7,2	270	50	-30 to 60	17-22	M5X20
K1651.2102356001	K1651.2002356001	chromed	39,2	14	42,9	3,8	12,7	7,2	270	50	-30 to 60	2-7	M5X16
K1651.2107356001	K1651.2007356001	chromed	39,2	14	42,9	3,8	12,7	7,2	270	50	-30 to 60	7-12	M5X20
K1651.2112356001	K1651.2012356001	chromed	39,2	3,8	42,9	3,8	12,7	7,2	270	50	-30 to 60	12-17	M5X16
K1651.2117356001	K1651.2017356001	chromed	39,2	3,8	42,9	3,8	12,7	7,2	270	50	-30 to 60	17-22	M5X20

Snap locks, snap-in, plastic

with grip



Material:

Lock PC/ABS.

Spring: stainless steel 1.4310.

Version:

Lock black.

Spring bright.

Sample order:

K1652.215090

Note:

Snap locks are designed for installation in doors, hatches and covers.

Available in different sizes for different door leaf thicknesses.

Flammability: listed UL94-HB.

Method of operation:

When the grip is pressed down, the latch retracts and the door can be opened. When the door is pushed to, a spring automatically latches it shut.

Application:

- Automobile industry
- Medical technology
- Machine construction
- Equipment construction
- Industrial control cabinets

Assembly:

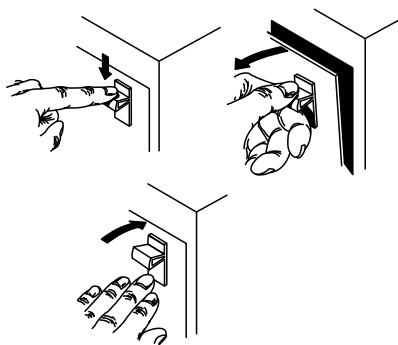
1. Produce a burr-free mounting cutout as shown in the drawing.
2. Insert the lock into the cutout from the front and push forwards.
3. Press the lock down to clip in.

Drawing reference:

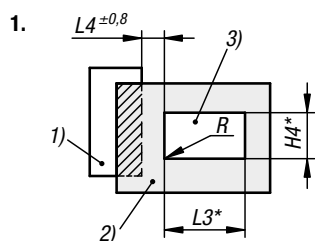
- 1) Frame
- 2) Door leaf
- 3) Mounting cutout
- 4) Actuation direction
- 5) Lock
- 6) Spring

Snap locks, snap-in, plastic

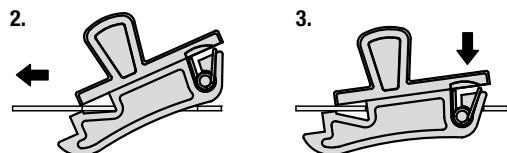
with grip



Assembly:



* Tolerances:
 Form A: H4 ±0,05
 L3 ±0,05
 Form B: H4 ±0,05
 L3 ±0,1
 Form C: H4 ±0,1
 L3 ±0,1



KIPP Snap locks, snap-in, plastic, with grip

Order No.	Form	B	B1	H	H1 = Total holding area	H2	H3	H4	L	L1	L2	L3	L4	R	Max. operating load in N	Temperature range °C	S = Door thickness in mm
K1652.211060	A	6	4,4	11,6	2,2	1,3	6,1	4,57	15,9	12,75	5	8,33	4,8	max. 0,1	25	-40 to 60	0,6
K1652.215090	B	9,5	7,8	15,5	2,65	2,1	9,1	8,2	22,5	19,05	6,3	12,7	6,4	max. 0,1	90	-40 to 60	0,8
K1652.222160	C	16,5	14	23,1	4,5	2,6	13,6	14,3	36	30	10,3	22,2	9,5	max. 0,1	130	-40 to 60	1

Snap locks, plastic

with knob



Material:

PC/ABS.

Version:

Black, chromed, white or beige.

Sample order:

K1653.247401

Note:

The push-in knob enables these snap locks to be installed flush into doors, hatches and panels.

Flammability: listed UL94-HB

Max. torque to tighten the nut: 4.2 Nm.

Method of operation:

When not actuated, the knob is flush with the housing. When the knob is pressed, it springs out and can be used to pull the door open. The door latches automatically when pushed shut. Press the knob in again to make it flush with the housing.

Application:

- Automobile industry
- Medical technology
- Machine construction
- Boat and ship building
- Aviation and aerospace
- Furniture industry

Assembly:

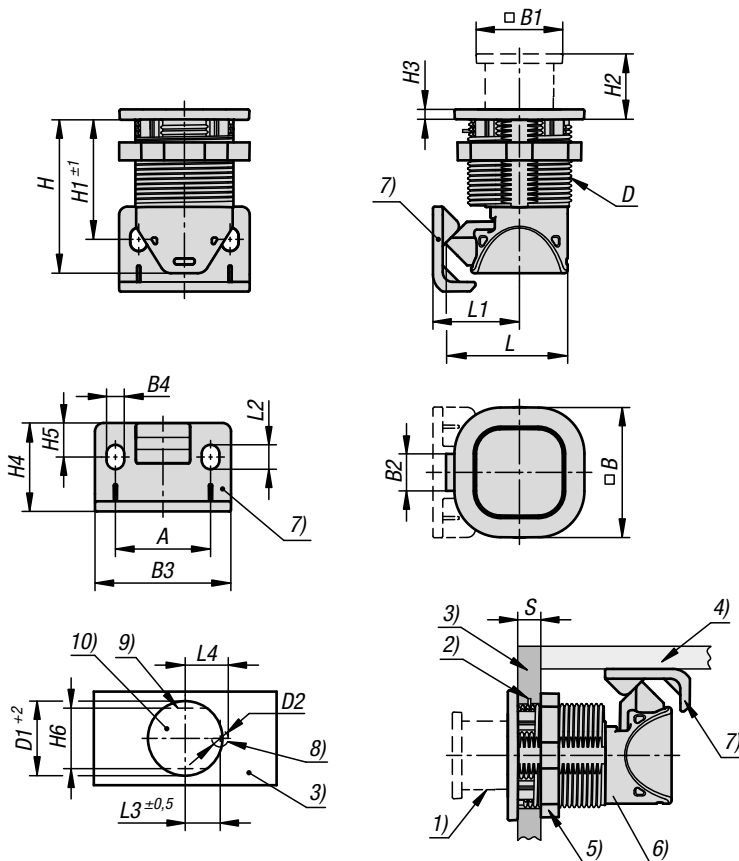
1. Produce a mounting cutout as shown in the drawing.
2. Attach the catch plate.
3. Secure from the rear using the mounting nut.

Supplied with:

Mounting nut and catch plate.
M5 screws for the catch plate are not supplied.

Drawing reference:

- 1) Knob
- 2) Guide pin to prevent twisting
- 3) Door leaf
- 4) Frame
- 5) Mounting nut
- 6) Housing
- 7) Catch plate
- 8) For guide pin (optional)
- 9) Cutout to prevent twisting (optional)
- 10) Mounting cutout

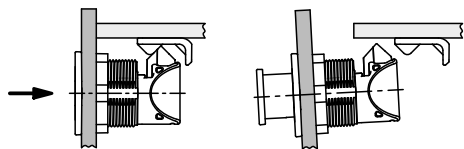


Snap locks, plastic

with knob



Operating mode:



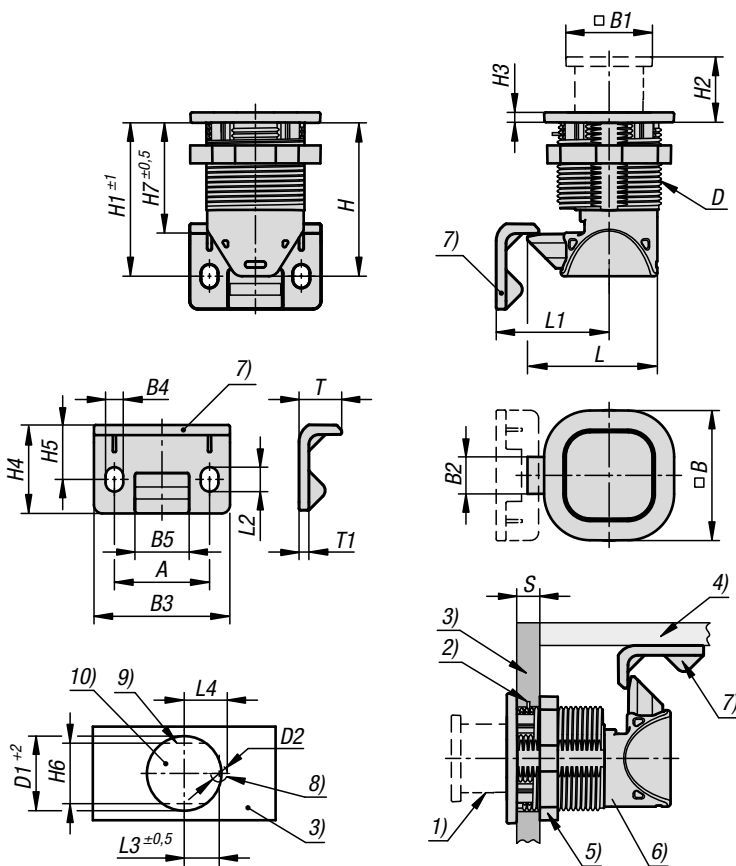
KIPP Snap locks, plastic with knob

Order No.	Main colour	A	B	B1	B2	B3	B4	D	D1	D2	H	H1	H2	H3	H4	H5	H6
K1653.247400	black	28	40	26,5	12	40	5,2	M32x1,5	32	7	47	36,6	17	3,2	26	10	30,2
K1653.247401	chromed	28	40	26,5	12	40	5,2	M32x1,5	32	7	47	36,6	17	3,2	26	10	30,2
K1653.247402	white	28	40	26,5	12	40	5,2	M32x1,5	32	7	47	36,6	17	3,2	26	10	30,2
K1653.247403	beige	28	40	26,5	12	40	5,2	M32x1,5	32	7	47	36,6	17	3,2	26	10	30,2

Order No.	L	L1	L2	L3	L4	Max. operating load in N	Temperature range °C	S = Door thickness in mm
K1653.247400	37,55	26,5	7,2	15	18,5	310	-30 to 60	1,2-19
K1653.247401	37,55	26,5	7,2	15	18,5	310	-30 to 60	1,2-19
K1653.247402	37,55	26,5	7,2	15	18,5	310	-30 to 60	1,2-19
K1653.247403	37,55	26,5	7,2	15	18,5	310	-30 to 60	1,2-19

Snap locks, plastic

with twist knob



Material:

PC/ABS.

Version:

Black, chromed, white or beige.

Sample order:

K1654.247401

Note:

The flush knob enables these snap locks to be installed flush into doors, hatches and panels. The catch plate can also be used as a stop if there is no suitable strike surface available.

Flammability: listed UL94-HB

Max. torque to tighten the nut: 4.2 Nm.

Method of operation:

When not actuated, the knob is flush with the housing. When the knob is pressed, it springs out and can be used to retract the latch by twisting to the left or right. The door latches automatically when pushed shut. Press the knob in again to make it flush with the housing.

Application:

- Automobile industry
- Medical technology
- Machine construction
- Boat and ship building
- Aviation and aerospace
- Furniture industry

Assembly:

1. Produce a mounting cutout as shown in the drawing.
2. Attach the catch plate.
3. Secure from the rear using the mounting nut.

Supplied with:

Mounting nut and catch plate.
M5 screws for the catch plate are not supplied.

Drawing reference:

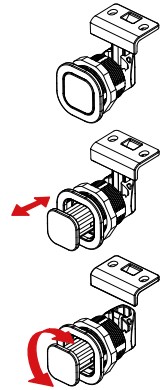
- 1) Knob
- 2) Guide pin to prevent twisting
- 3) Door leaf
- 4) Frame
- 5) Mounting nut
- 6) Housing
- 7) Catch plate
- 8) For guide pin (optional)
- 9) Cutout to prevent twisting (optional)
- 10) Mounting cutout

Snap locks, plastic

with twist knob



Operating mode:



KIPP Snap locks, plastic with twist knob

Order No.	Main colour	A	B	B1	B2	B3	B4	B5	D	D1	D2	H	H1	H2	H3	H4	H5	H6	H7
K1654.247400	black	28	40	26,5	12	40	5,2	16	M32x1,5	32	7	47	47	17	3,2	26	16	30,2	34
K1654.247401	chromed	28	40	26,5	12	40	5,2	16	M32x1,5	32	7	47	47	17	3,2	26	16	30,2	34
K1654.247402	white	28	40	26,5	12	40	5,2	16	M32x1,5	32	7	47	47	17	3,2	26	16	30,2	34
K1654.247403	beige	28	40	26,5	12	40	5,2	16	M32x1,5	32	7	47	47	17	3,2	26	16	30,2	34

Order No.	L	L1	L2	L3	L4	T	T1	Max. operating load in N	Temperature range °C	S = Door thickness in mm
K1654.247400	39,87	34,42	7,2	15	18,5	13	3	310	-30 to 60	1,2-19
K1654.247401	39,87	34,42	7,2	15	18,5	13	3	310	-30 to 60	1,2-19
K1654.247402	39,87	34,42	7,2	15	18,5	13	3	310	-30 to 60	1,2-19
K1654.247403	39,87	34,42	7,2	15	18,5	13	3	310	-30 to 60	1,2-19

Slam latches



Material:
Die cast aluminium.
End caps plastic.

Version:
Black powder-coated.
End caps black.

Sample order:
K1496.100561

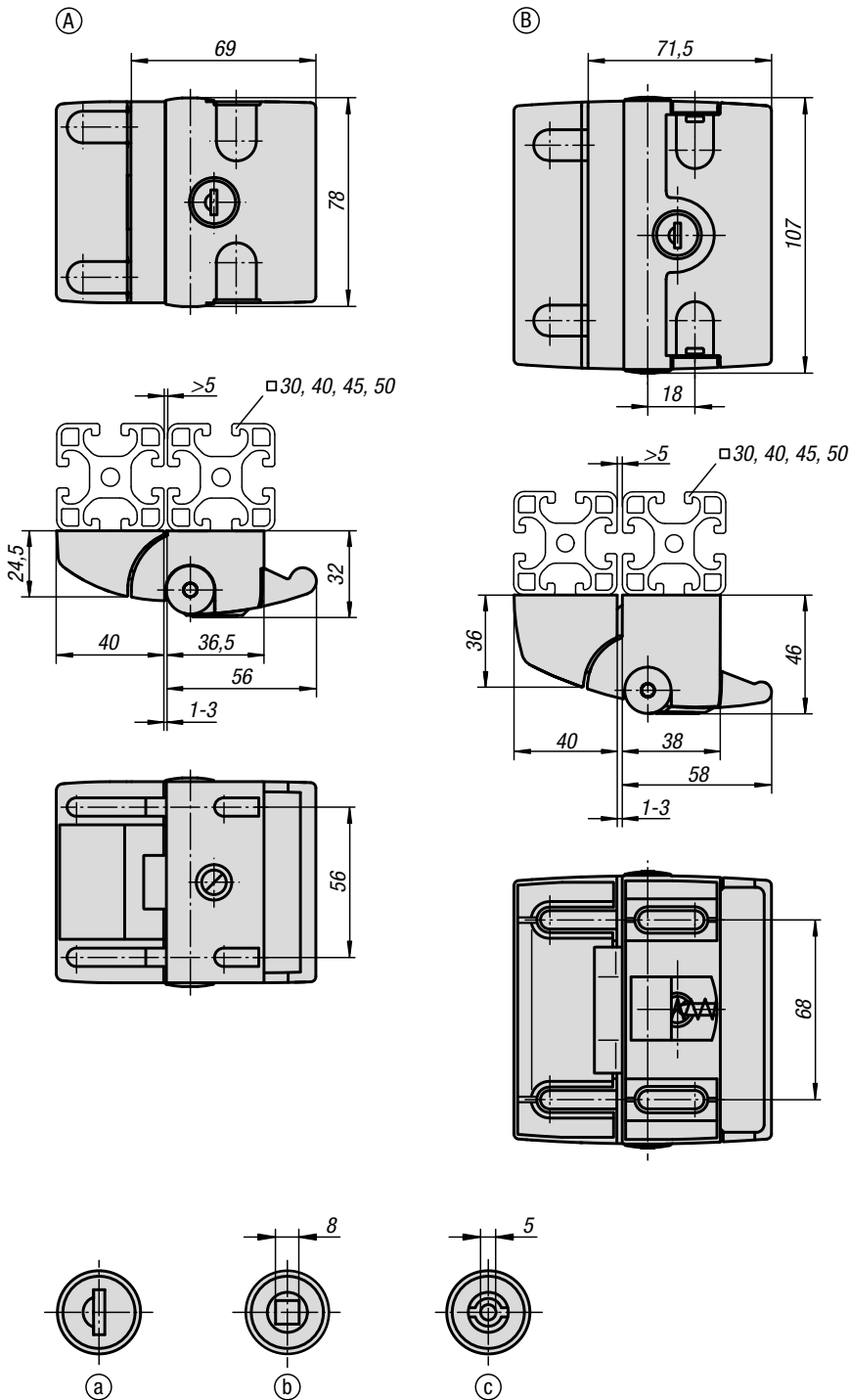
Note:
For the simple and safe locking of doors and hatches. Installed from the front without mechanical processing using M6 cylinder-head or cheese-head screws. Secured to prevent removal when locked.

The key-operated version is supplied with 2 keys. The key can be removed in both positions (open and closed). The locks are keyed alike, i.e. they can all be opened using the same key (euro key 5333).

The double-lug version is supplied with a double lug key.

Drawing reference:

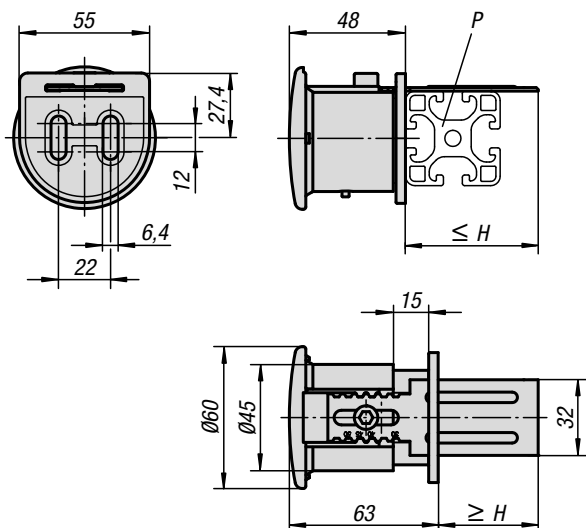
- Actuation:
a) single-key system
b) square 8 mm
c) double lug 5 mm



KIPP Slam latches

Order No.	Form	Slot width	Actuation
K1496.100561	A	8/10	not lockable
K1496.170561	A	8/10	key
K1496.118561	A	8/10	square 8 mm
K1496.145561	A	8/10	double lug 5 mm
K1496.200681	B	8/10	not lockable
K1496.270681	B	8/10	key

Emergency openers



Material:

Body plastic PA 6, fibreglass reinforced.
 Push button plastic PA 6, fibreglass reinforced.
 Release catch steel.

Version:

Body black.
 Push button red.
 Release catch electro zinc-plated.

Sample order:

K1497.93050

Note:

Rear-side emergency release for slam latches.
 Installation with two socket head screws (preferably DIN 912 M6x12), no machining required. Suitable for all slam latches.



KIPP Emergency openers

Order No.	Slot width	H min.	H max.	P
K1497.93050	8/10	30	50	30-50
K1497.96080	8/10	60	80	60-80