

Cylinder clamping sets

Item description/product images



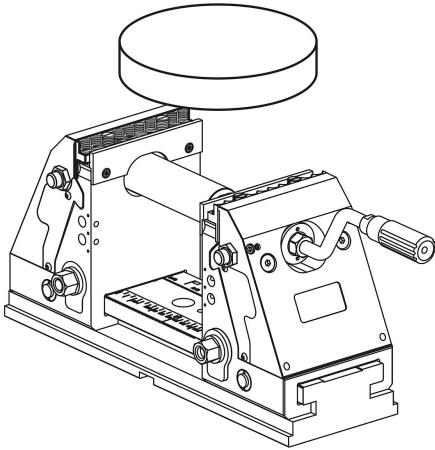
Description

Material:
Tool steel.

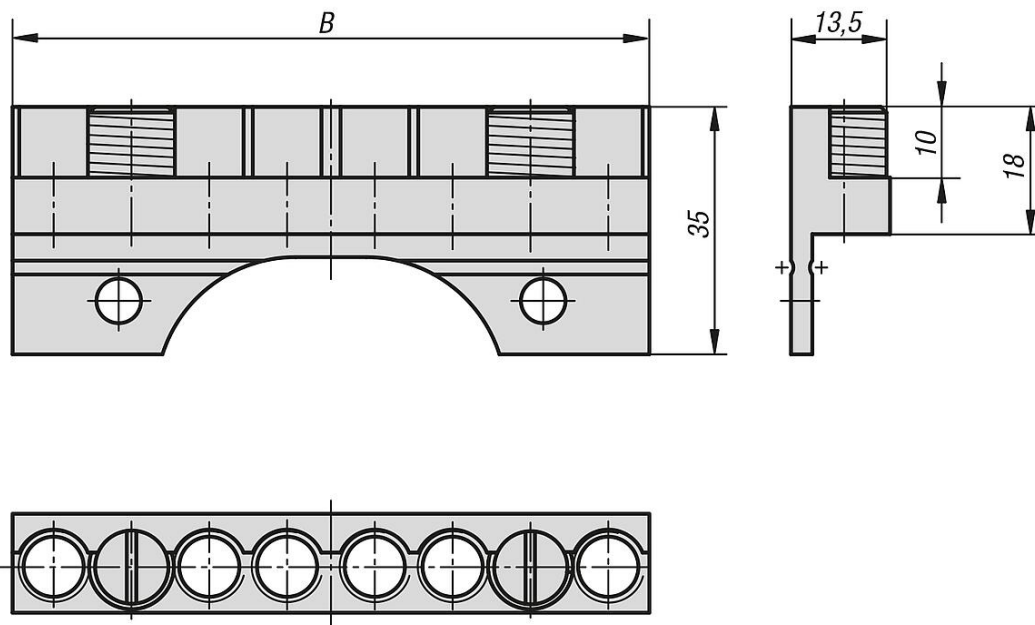
Version:
Vice jaw hardened, bright.
Pins hardened, black oxidised.

Note:
For holding round workpieces.
Max. clamping travel of jaw is 1 mm.

Supplied in pairs.



Drawings



Overview of items

Order No.	B	Clamping range min. - max.
K0989.09035	90	20 mm - 250 mm
K0989.12535	125	20 mm - 320 mm

