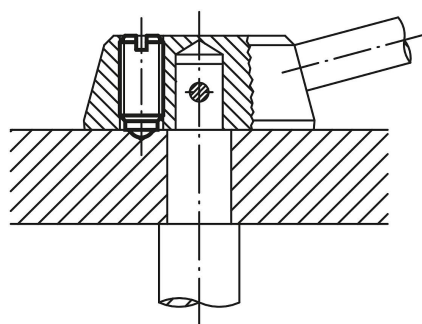


# Spring plungers with slot and ball, strong spring force

## Item description/product images



handle indexing



### Description

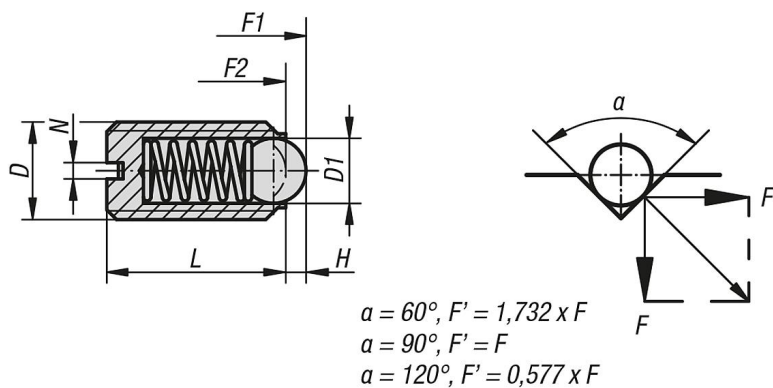
**Material:**

Sleeve steel grade 5.8.  
Ball steel.  
Spring grade D steel wire.

**Version:**

Black oxidised. Ball hardened.

## Drawings



## Overview of items

### Spring plungers with slot and ball, reinforced spring

Order No.	D	D1	L	H	N	Spring force initial pressure F1 approx. N	Spring force final pressure F2 approx. N
K0309.203	M3	1,5	7	0,4	0,4	5	7
K0309.204	M4	2,5	9	0,8	0,6	12	22
K0309.205	M5	3	12	0,9	0,8	19	30
K0309.206	M6	3,5	14	1	1	28	40
K0309.208	M8	5	16	1,5	1,2	47	73
K0309.210	M10	6	19	2	1,6	66	100
K0309.212	M12	8	22	2,5	2	66	120

## Spring plungers with slot and ball, strong spring force

### Overview of items

Order No.	D	D1	L	H	N	Spring force initial pressure F1 approx. N	Spring force final pressure F2 approx. N
K0309.216	M16	10	24	3,5	2,5	90	180
K0309.220	M20	12	30	4,5	2,5	115	240