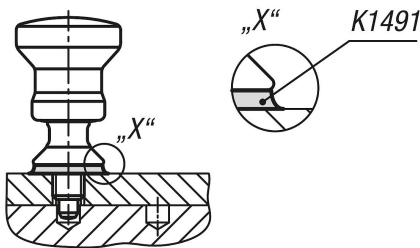


# Indexing plungers, stainless steel for Hygienic USIT® seal and shim washers, with stainless steel mushroom grip

Item description/product images



## Description

### Product description:

Indexing plungers are used where it is necessary to prevent changes of position due to lateral forces. A new locking position can be set only after the plunger has been manually retracted. Form C (with lockout slot) is recommended for applications where the indexing pin should remain disengaged for an extended period and be prevented from springing back.

This indexing plunger is suitable for the foodstuff sectors. It has a conical collar so that the fastening point can be hygienically sealed using the Hygienic USIT® sealing and shim washer. The surface finish is  $Ra < 0.8 \mu m$ , which prevents dirt particles from adhering and ensures easy cleaning.

### Material:

Steel parts stainless steel 1.4404.

Seal 70 EPDM 295 (black) or 75 Fluoroprene® XP (blue).

### Version:

Indexing pin hardened or not hardened, bright.

### Temperature range:

70 EPDM 295: -40 °C to 150 °C.

75 Fluoroprene® XP: -15 °C to 200 °C.

### Advantages:

Hygienic conform design

Stainless steel 1.4404

Suitable for CIP/SIP cleaning

Resistant to polar and nonpolar media as well as aromatic substances

### Supplied with:

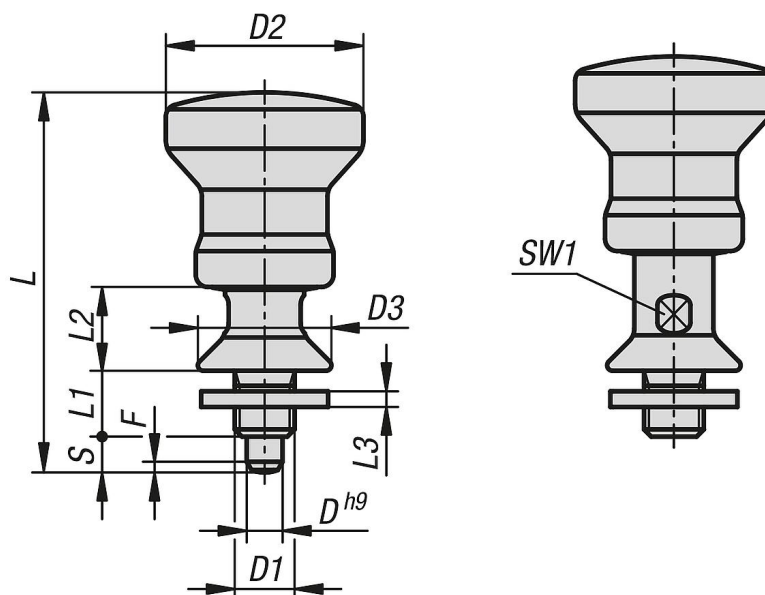
Indexing plunger including seal and shim washer Hygienic USIT®.

### Accessory:

Hygienic USIT® seal and shim washers K1491.

# Indexing plungers, stainless steel for Hygienic USIT® seal and shim washers, with stainless steel mushroom grip

Drawings



## Overview of items

### Indexing plungers with collar for Hygienic USIT® seal and shim washers.

Order No.	Form	Form definition	Main material	locating pin	Component colour	D	D1	D2	D3	L	L1	L2	L3	Travel S	SW1	Fx30°	Spring force initial pressure F1 approx. N	Spring force final pressure F2 approx. N
K1698.0110601	A	without locking slot	stainless steel	hardened	black	6	M10	33	22,3	63,5	11	14	1,5	6	12	1,8	40	45
K1698.0110611	A	without locking slot	stainless steel	hardened	black	6	M10x1	33	22,3	63,5	11	14	1,5	6	12	1,8	40	45
K1698.0120801	A	without locking slot	stainless steel	hardened	black	8	M12	33	26,6	69,5	13	16	1,5	8	12	2,3	40	62
K1698.0120811	A	without locking slot	stainless steel	hardened	black	8	M12x1,5	33	26,6	69,5	13	16	1,5	8	12	2,3	40	62
K1698.0110602	A	without locking slot	stainless steel	hardened	blue	6	M10	33	22,3	63,5	11	14	1,5	6	12	1,8	40	45
K1698.0110612	A	without locking slot	stainless steel	hardened	blue	6	M10x1	33	22,3	63,5	11	14	1,5	6	12	1,8	40	45
K1698.0120802	A	without locking slot	stainless steel	hardened	blue	8	M12	33	26,6	69,5	13	16	1,5	8	12	2,3	40	62
K1698.0120812	A	without locking slot	stainless steel	hardened	blue	8	M12x1,5	33	26,6	69,5	13	16	1,5	8	12	2,3	40	62
K1698.1110601	A	without locking slot	stainless steel	not hardened	black	6	M10	33	22,3	63,5	11	14	1,5	6	12	1,8	40	45
K1698.1110611	A	without locking slot	stainless steel	not hardened	black	6	M10x1	33	22,3	63,5	11	14	1,5	6	12	1,8	40	45
K1698.1120801	A	without locking slot	stainless steel	not hardened	black	8	M12	33	26,6	69,5	13	16	1,5	8	12	2,3	40	62
K1698.1120811	A	without locking slot	stainless steel	not hardened	black	8	M12x1,5	33	26,6	69,5	13	16	1,5	8	12	2,3	40	62
K1698.1110602	A	without locking slot	stainless steel	not hardened	blue	6	M10	33	22,3	63,5	11	14	1,5	6	12	1,8	40	45
K1698.1110612	A	without locking slot	stainless steel	not hardened	blue	6	M10x1	33	22,3	63,5	11	14	1,5	6	12	1,8	40	45
K1698.1120802	A	without locking slot	stainless steel	not hardened	blue	8	M12	33	26,6	69,5	13	16	1,5	8	12	2,3	40	62
K1698.1120812	A	without locking slot	stainless steel	not hardened	blue	8	M12x1,5	33	26,6	69,5	13	16	1,5	8	12	2,3	40	62
K1698.0310601	C	with locking slot	stainless steel	hardened	black	6	M10	33	22,3	63,5	11	14	1,5	6	12	1,8	40	45
K1698.0310611	C	with locking slot	stainless steel	hardened	black	6	M10x1	33	22,3	63,5	11	14	1,5	6	12	1,8	40	45
K1698.0320801	C	with locking slot	stainless steel	hardened	black	8	M12	33	26,6	69,5	13	16	1,5	8	12	2,3	40	62
K1698.0320811	C	with locking slot	stainless steel	hardened	black	8	M12x1,5	33	26,6	69,5	13	16	1,5	8	12	2,3	40	62
K1698.0310602	C	with locking slot	stainless steel	hardened	blue	6	M10	33	22,3	63,5	11	14	1,5	6	12	1,8	40	45
K1698.0310612	C	with locking slot	stainless steel	hardened	blue	6	M10x1	33	22,3	63,5	11	14	1,5	6	12	1,8	40	45
K1698.0320802	C	with locking slot	stainless steel	hardened	blue	8	M12	33	26,6	69,5	13	16	1,5	8	12	2,3	40	62
K1698.0320812	C	with locking slot	stainless steel	hardened	blue	8	M12x1,5	33	26,6	69,5	13	16	1,5	8	12	2,3	40	62
K1698.1310601	C	with locking slot	stainless steel	not hardened	black	6	M10	33	22,3	63,5	11	14	1,5	6	12	1,8	40	45
K1698.1310611	C	with locking slot	stainless steel	not hardened	black	6	M10x1	33	22,3	63,5	11	14	1,5	6	12	1,8	40	45
K1698.1320801	C	with locking slot	stainless steel	not hardened	black	8	M12	33	26,6	69,5	13	16	1,5	8	12	2,3	40	62
K1698.1320811	C	with locking slot	stainless steel	not hardened	black	8	M12x1,5	33	26,6	69,5	13	16	1,5	8	12	2,3	40	62
K1698.1310602	C	with locking slot	stainless steel	not hardened	blue	6	M10	33	22,3	63,5	11	14	1,5	6	12	1,8	40	45
K1698.1310612	C	with locking slot	stainless steel	not hardened	blue	6	M10x1	33	22,3	63,5	11	14	1,5	6	12	1,8	40	45
K1698.1320802	C	with locking slot	stainless steel	not hardened	blue	8	M12	33	26,6	69,5	13	16	1,5	8	12	2,3	40	62
K1698.1320812	C	with locking slot	stainless steel	not hardened	blue	8	M12x1,5	33	26,6	69,5	13	16	1,5	8	12	2,3	40	62

**Indexing plungers, stainless steel for Hygienic USIT® seal and shim washers, with stainless steel mushroom grip**

Overview of items

---