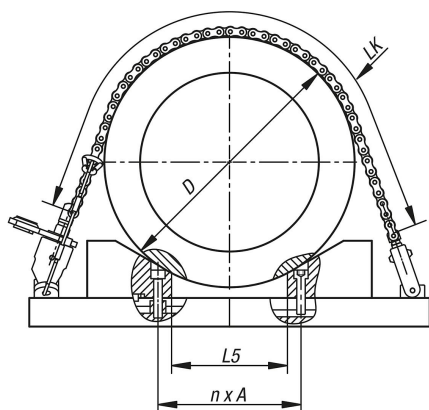


Roller chains, steel, for chain clamp sets

Item description/product images



Description

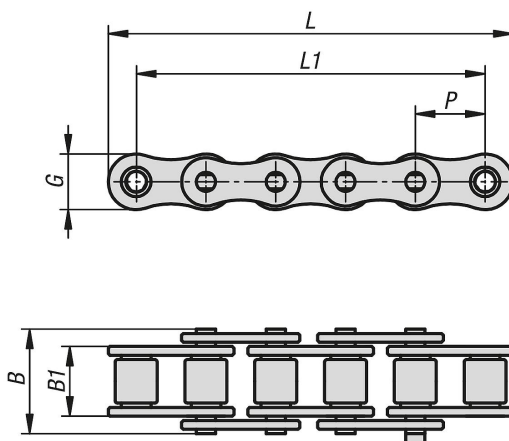
Material:
Steel.

Note:
Roller chains for chain clamp sets can be used with chain clamp sets (K1650) for clamping round, irregular, and large to very large workpieces. Roller chains can be shortened and joined together with other roller chains as desired.

Supplied with:
1x roller chain

Accessory:
Steel turnbuckles for chain clamp sets K1656.

Drawings



Overview of items

Roller chains, steel, for chain clamp sets

Order No.	B	B1	G	L	L1	P	Clamping force max. kN
K1655.150125	20	13	15	126	111	15,875	15
K1655.150250	20	13	15	253	238	15,875	15
K1655.150500	20	13	15	507	492	15,875	15
K1655.151000	20	13	15	1015	1000	15,875	15
K1655.400125	33	25	21	148	127	25,4	40
K1655.400250	33	25	21	250	229	25,4	40
K1655.400500	33	25	21	504	483	25,4	40
K1655.401000	33	25	21	1012	991	25,4	40

