

## Tension levers with reamed hole, 20°

### Item description/product images



### Description

#### Material:

Steel parts grade 5.8.  
Ball knob black plastic.

#### Version:

Black oxidised.

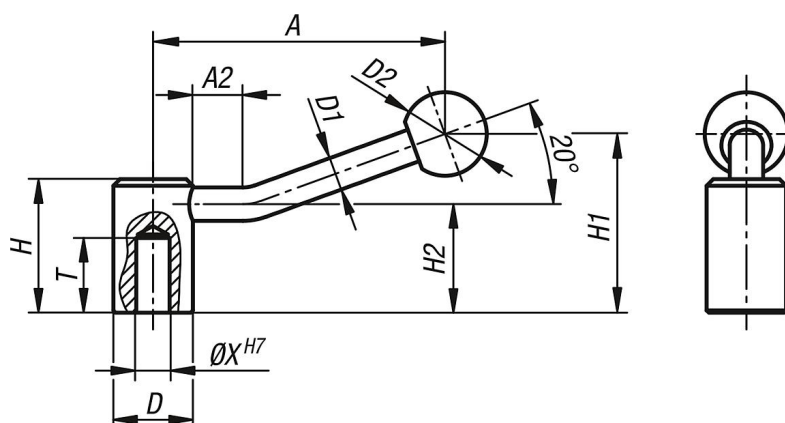
#### Note:

Tension levers can be used for simple clamping or control operations.  
Where applicable, there must be enough space available so that the grip can be rotated 360°.

#### On request:

Other female threads, reamed holes and special versions.  
Dimension "A" available in other lengths at extra charge.

### Drawings



### Overview of items

#### Tension lever

Order No.	Kind of fastening	X	T	A=Handle length	A2	D	D1	D2	H	H1	H2
K0176.110	reamed hole	10	22	84,5	15	24	10	25	40	52,5	32,5
K0176.112	reamed hole	12	25	100	15	28	12	32	46	61	36,5
K0176.114	reamed hole	14	25	100	15	28	12	32	46	61	36,5
K0176.116	reamed hole	16	28	121	15	33	13	32	52	72	41
K0176.120	reamed hole	20	32	123	15	41	13	32	61	80	49