

# Tension levers with internal thread, 20°

## Item description/product images



### Description

**Material:**

Steel parts grade 5.8.  
Ball knob black plastic.

**Version:**

Black oxidised.

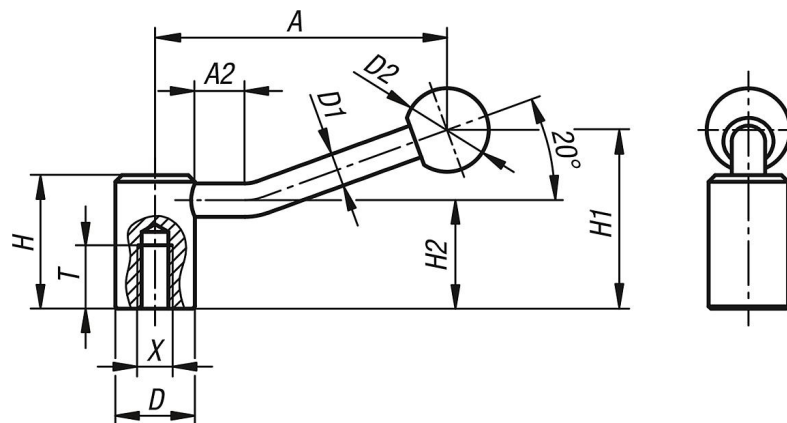
**Note:**

Tension levers can be used for simple clamping or control operations.  
Where applicable, there must be enough space available so that the grip can be rotated 360°.

**On request:**

Other female threads, reamed holes and special versions.  
Dimension "A" available in other lengths at extra charge.

## Drawings



## Overview of items

### Tension lever

Order No.	Kind of fastening	X	T	A=Handle length	A2	D	D1	D2	H	H1	H2
K0176.208	internal thread	M8	18	84,5	15	24	10	25	40	52,5	32,5
K0176.210	internal thread	M10	18	84,5	15	24	10	25	40	52,5	32,5
K0176.2101	internal thread	M10	20	100	15	28	12	32	46	61	36,5
K0176.212	internal thread	M12	20	100	15	28	12	32	46	61	36,5
K0176.216	internal thread	M16	23	121	15	33	13	32	52	72	41
K0176.220	internal thread	M20	26	123	15	41	13	32	61	80	49