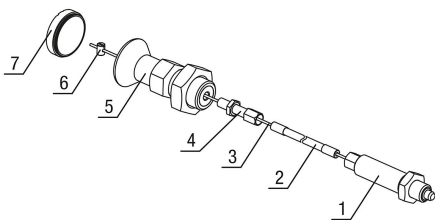
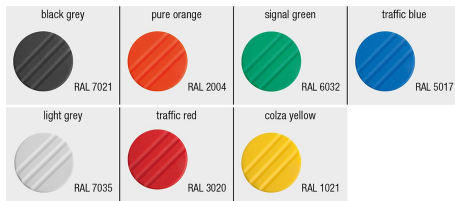


Indexing plungers, stainless steel with plastic mushroom grip and remote actuation

Item description/product images



Description

Product description:

Indexing plungers are used where any change in locking position due to lateral forces should be prevented.

Some examples of this are for length, height and position indexing in machine, furniture and special vehicle construction.

Indexing plungers with remote actuation are used where inaccessible assembly spaces are making it difficult to operate, or where remote actuation is required for ergonomic or safety reasons.

The indexing plunger is connected to the operator side by a Bowden cable. The combination of indexing plunger and actuating element forms a complete system which can be used for many types of application. Form D should be used for applications where the indexing pin should remain disengaged for an extended period and be prevented from springing back.

As an alternative to the actuating element, the supplied screw nipple ($\varnothing 5 \times 7$ mm) can be used to integrate an individual actuating element into the system.

The Bowden cable is available in various lengths.

To ensure an exact fit in the application concerned, the Bowden cable can be shortened as required during installation.

Corrosion protection is achieved by selecting a suitable material and surface treatment. The wire cable or cable sheath can be easily replaced if required.

Material:

Indexing plunger:

Threaded sleeve stainless steel 1.4305.

Indexing pin stainless steel 1.4034.

Actuating element stainless steel 1.4305.

Mushroom grip thermoplastic.

Plastic cap thermoplastic.

Wire cable stainless steel 1.4401.

Traction sleeve steel wire with plastic sleeving inside and outside.

End sleeves, setscrews and screw nipples brass.

Version:

Indexing pin, hardened, ground and bright.

Bowden cable casing, black.

Mushroom grip, thermoplastic dark grey.

Note for ordering:

Indexing plungers with remote actuation and actuating element must be ordered separately.

Note:

When installing the Bowden cables, the following points should be noted:

The length of the free end of the cable can change due to the layout angle, bending radius and load factors. So, after laying the Bowden cable, the length of the counter-bearing (casing) must be adjusted using the adjusting screw supplied. The adjusting screw is also used to set the pretension in the Bowden cable system.

Indexing plungers, stainless steel with plastic mushroom grip and remote actuation

Item description/product images

When laying the cable, particular care must be taken to ensure that the bending radius is not below the minimum value, which in this case is $R = 65$ mm. A radius which is too narrow can lead to increased wear and higher friction. Also avoid letting the bending radius briefly go below the minimum value when installing, as this can cause damage to the casing. Also, the casing is designed only to support pressure forces. If pulled too sharply, the inner coil will be stretched and permanently damaged.

On request:

Special versions.

Supplied with:

Indexing plunger with remote actuation:

Indexing plunger with preassembled cable, casing, end sleeve, adjusting screw M6 x 34 mm and screw nipple $\varnothing 5$ x 7 mm.

Actuating element:

Actuating element with plastic cover.

Accessory:

Hex nuts K0700.

Mounting brackets K0638.

Spacer rings K0665.

Positioning bushes K1290.

Actuating elements K1502.12420.

Wire cables K2023.

Tension sleeves K2024.

End sleeves K2025.

Setscrews K2026.

Screw nipples K2027.

Drawing reference:

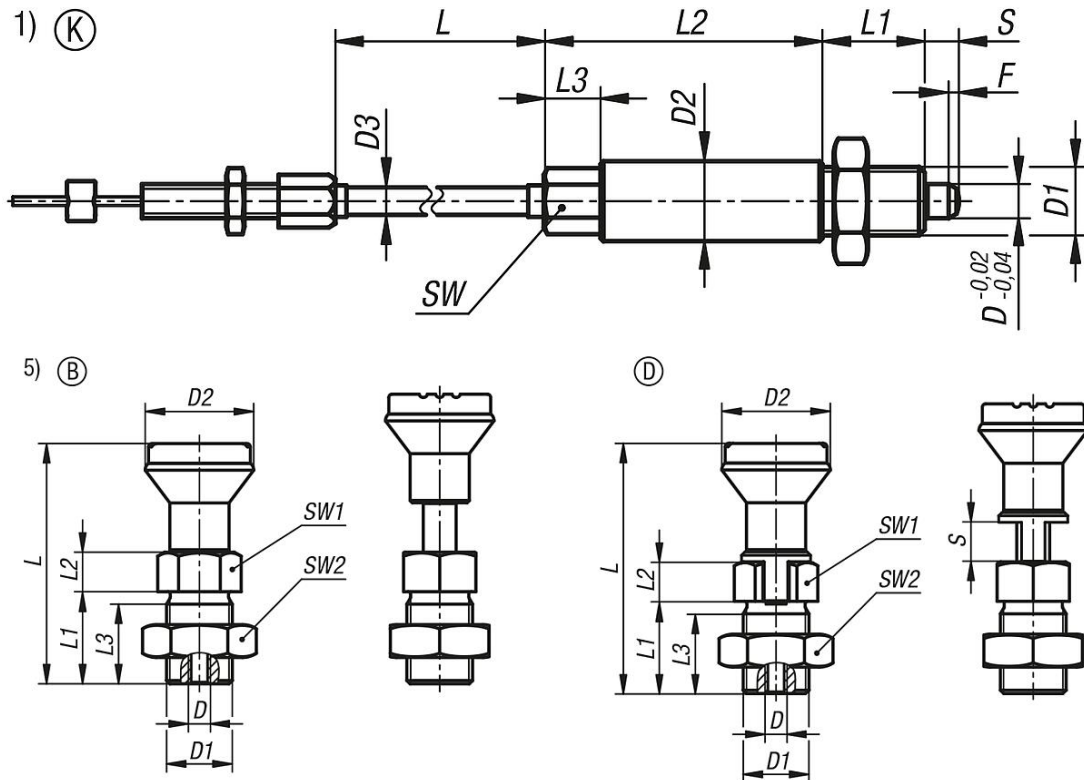
- 1) Indexing plunger
- 2) Bowden cable casing
- 3) Bowden cable
- 4) Adjusting screw
- 5) Actuating element
- 6) Screw nipple
- 7) Cover

Form B: non-lockout type, with locknut

Form D: lockout type, with locknut

Indexing plungers, stainless steel with plastic mushroom grip and remote actuation

Drawings



Overview of items

Indexing plunger, stainless steel with remote actuation

Order No.	Item	Form	Colour Cap	D	D Internal thread	D1	D2	D3	L	L1	L2	L3	Travel S	SW	SW1	SW2	Fx30°	Spring force initial pressure F1 approx. N	Spring force final pressure F2 approx. N
K1502.02206X1000	Indexing Plunger	K	-	6	-	M12x1,5	14	5	1000	18	49	10	6	10	-	-	1,8	6	14
K1502.02206X3000	Indexing Plunger	K	-	6	-	M12x1,5	14	5	3000	18	49	10	6	10	-	-	1,8	6	14
K1502.02206X5000	Indexing Plunger	K	-	6	-	M12x1,5	14	5	5000	18	49	10	6	10	-	-	1,8	6	14
K1502.02308X1000	Indexing Plunger	K	-	8	-	M16x1,5	19	5	1000	23	59	10	8	13	-	-	2,3	15	35
K1502.02308X3000	Indexing Plunger	K	-	8	-	M16x1,5	19	5	3000	23	59	10	8	13	-	-	2,3	15	35
K1502.02308X5000	Indexing Plunger	K	-	8	-	M16x1,5	19	5	5000	23	59	10	8	13	-	-	2,3	15	35
K1502.02410X1000	Indexing Plunger	K	-	10	-	M20x1,5	23	5	1000	24	65	10	10	16	-	-	2,8	15	34
K1502.02410X3000	Indexing Plunger	K	-	10	-	M20x1,5	23	5	3000	24	65	10	10	16	-	-	2,8	15	34
K1502.02410X5000	Indexing Plunger	K	-	10	-	M20x1,5	23	5	5000	24	65	10	10	16	-	-	2,8	15	34
K1502.02412X1000	Indexing Plunger	K	-	12	-	M20x1,5	23	5	1000	26	65	10	12	16	-	-	2,8	15	39
K1502.02412X3000	Indexing Plunger	K	-	12	-	M20x1,5	23	5	3000	26	65	10	12	16	-	-	2,8	15	39
K1502.02412X5000	Indexing Plunger	K	-	12	-	M20x1,5	23	5	5000	26	65	10	12	16	-	-	2,8	15	39
K1502.12420	Actuating element	B	black grey RAL 7021	-	M6	M20x1,5	33	-	73	28	12	25	-	-	22	30	-	-	-
K1502.124201	Actuating element	B	orange RAL 2004	-	M6	M20x1,5	33	-	73	28	12	25	-	-	22	30	-	-	-
K1502.124202	Actuating element	B	signal green RAL6032	-	M6	M20x1,5	33	-	73	28	12	25	-	-	22	30	-	-	-
K1502.124203	Actuating element	B	blue RAL5017	-	M6	M20x1,5	33	-	73	28	12	25	-	-	22	30	-	-	-
K1502.124205	Actuating element	B	light grey RAL 7035	-	M6	M20x1,5	33	-	73	28	12	25	-	-	22	30	-	-	-
K1502.124206	Actuating element	B	traffic red RAL 3020	-	M6	M20x1,5	33	-	73	28	12	25	-	-	22	30	-	-	-
K1502.124207	Actuating element	B	colza yellow RAL 1021	-	M6	M20x1,5	33	-	73	28	12	25	-	-	22	30	-	-	-
K1502.1442006	Actuating element	D	black grey RAL 7021	-	M6	M20x1,5	33	-	76	28	12	25	6	-	22	30	-	-	-
K1502.14420106	Actuating element	D	orange RAL 2004	-	M6	M20x1,5	33	-	76	28	12	25	6	-	22	30	-	-	-
K1502.14420206	Actuating element	D	signal green RAL6032	-	M6	M20x1,5	33	-	76	28	12	25	6	-	22	30	-	-	-
K1502.14420306	Actuating element	D	blue RAL5017	-	M6	M20x1,5	33	-	76	28	12	25	6	-	22	30	-	-	-
K1502.14420506	Actuating element	D	light grey RAL 7035	-	M6	M20x1,5	33	-	76	28	12	25	6	-	22	30	-	-	-
K1502.14420606	Actuating element	D	traffic red RAL 3020	-	M6	M20x1,5	33	-	76	28	12	25	6	-	22	30	-	-	-
K1502.14420706	Actuating element	D	colza yellow RAL 1021	-	M6	M20x1,5	33	-	76	28	12	25	6	-	22	30	-	-	-

Indexing plungers, stainless steel with plastic mushroom grip and remote actuation

Overview of items

Order No.	Item	Form	Colour Cap	D	D Internal thread	D1	D2 D3	L	L1 L2 L3	Travel S	SW	SW1	SW2	Fx30°	Spring force initial pressure F1 approx. N	Spring force final pressure F2 approx. N
K1502.1442008	Actuating element	D	black grey RAL 7021	-	M6	M20x1,5 33	- 76	281225	8	-	22	30	-	-	-	-
K1502.14420108	Actuating element	D	orange RAL 2004	-	M6	M20x1,5 33	- 76	281225	8	-	22	30	-	-	-	-
K1502.14420208	Actuating element	D	signal green RAL6032	-	M6	M20x1,5 33	- 76	281225	8	-	22	30	-	-	-	-
K1502.14420308	Actuating element	D	blue RAL5017	-	M6	M20x1,5 33	- 76	281225	8	-	22	30	-	-	-	-
K1502.14420508	Actuating element	D	light grey RAL 7035	-	M6	M20x1,5 33	- 76	281225	8	-	22	30	-	-	-	-
K1502.14420608	Actuating element	D	traffic red RAL 3020	-	M6	M20x1,5 33	- 76	281225	8	-	22	30	-	-	-	-
K1502.14420708	Actuating element	D	colza yellow RAL 1021	-	M6	M20x1,5 33	- 76	281225	8	-	22	30	-	-	-	-
K1502.1442010	Actuating element	D	black grey RAL 7021	-	M6	M20x1,5 33	- 76	281225	10	-	22	30	-	-	-	-
K1502.14420110	Actuating element	D	orange RAL 2004	-	M6	M20x1,5 33	- 76	281225	10	-	22	30	-	-	-	-
K1502.14420210	Actuating element	D	signal green RAL6032	-	M6	M20x1,5 33	- 76	281225	10	-	22	30	-	-	-	-
K1502.14420310	Actuating element	D	blue RAL5017	-	M6	M20x1,5 33	- 76	281225	10	-	22	30	-	-	-	-
K1502.14420510	Actuating element	D	light grey RAL 7035	-	M6	M20x1,5 33	- 76	281225	10	-	22	30	-	-	-	-
K1502.14420610	Actuating element	D	traffic red RAL 3020	-	M6	M20x1,5 33	- 76	281225	10	-	22	30	-	-	-	-
K1502.14420710	Actuating element	D	colza yellow RAL 1021	-	M6	M20x1,5 33	- 76	281225	10	-	22	30	-	-	-	-
K1502.1442012	Actuating element	D	black grey RAL 7021	-	M6	M20x1,5 33	- 76	281225	12	-	22	30	-	-	-	-
K1502.14420112	Actuating element	D	orange RAL 2004	-	M6	M20x1,5 33	- 76	281225	12	-	22	30	-	-	-	-
K1502.14420212	Actuating element	D	signal green RAL6032	-	M6	M20x1,5 33	- 76	281225	12	-	22	30	-	-	-	-
K1502.14420312	Actuating element	D	blue RAL5017	-	M6	M20x1,5 33	- 76	281225	12	-	22	30	-	-	-	-
K1502.14420512	Actuating element	D	light grey RAL 7035	-	M6	M20x1,5 33	- 76	281225	12	-	22	30	-	-	-	-
K1502.14420612	Actuating element	D	traffic red RAL 3020	-	M6	M20x1,5 33	- 76	281225	12	-	22	30	-	-	-	-
K1502.14420712	Actuating element	D	colza yellow RAL 1021	-	M6	M20x1,5 33	- 76	281225	12	-	22	30	-	-	-	-