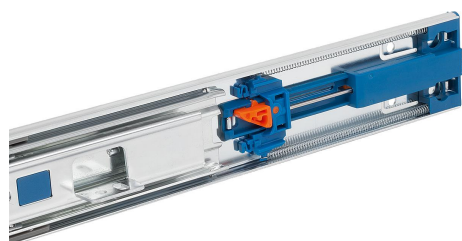
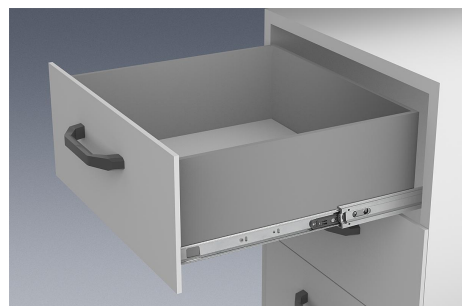


# Telescopic slides, steel for surface mounting, full extension, load capacity up to 35 kg

Item description/product images



## Description

### Material:

Slides steel.  
Ball cages steel and plastic.  
Balls C-steel.

### Version:

Slides electro zinc-plated and trivalent blue passivated.  
Balls hardened.

### Note for ordering:

Supplied in pairs

### Note:

On telescopic slides with full extension, the travel is equal to the installed length, which ensures greater comfort and accessibility. Interlocking in closed position. When the release lever is actuated, the drawer can be taken out easily and separated from the guide.

When closing, the movement of the telescopic slides is dampened by the soft closing feature and they move automatically into the end position.

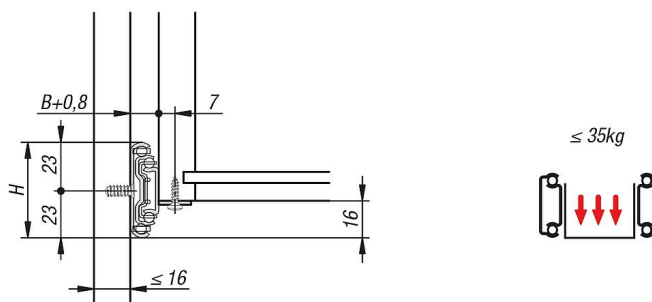
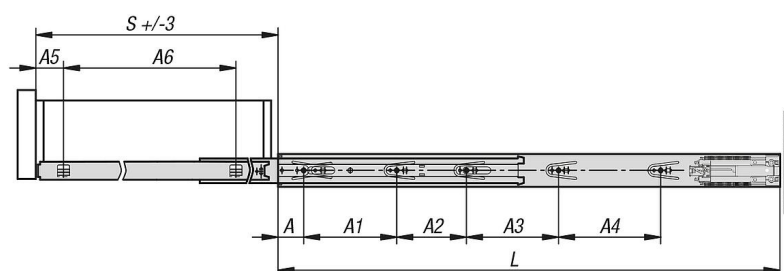
The side screw fittings on the inner rail are replaced by support brackets.

The dynamic load capacity of the telescopic slides indicates the maximum load rating of a vertically mounted slide pair when the entire extension length is used. The load-bearing capacities specified refer to the maximum value for 50,000 cycles.

### Note:

The load capacity of all telescopic slides is tested to DIN EN 15338 Level 2.

## Drawings



## Overview of items

## Telescopic slides, steel for surface mounting, full extension, load capacity up to 35 kg

Overview of items

### Steel telescopic slides for surface mounting, full extension, load capacity up to 35 kg

Order No.	A	A1	A2	A3	A4	A5	A6	B	H	L	Travel S	Loading per pair kg
<b>K1573.0300</b>	35	128	-	-	-	35	230	12,7	46	300	300	35
<b>K1573.0350</b>	35	128	64	-	-	35	280	12,7	46	350	350	35
<b>K1573.0400</b>	35	128	64	-	-	35	315	12,7	46	400	400	35
<b>K1573.0450</b>	35	128	96	-	-	35	365	12,7	46	450	450	35
<b>K1573.0500</b>	35	128	96	64	-	35	415	12,7	46	500	500	35
<b>K1573.0550</b>	35	128	96	128	-	35	465	12,7	46	550	550	35
<b>K1573.0600</b>	35	128	96	160	-	35	515	12,7	46	600	600	35
<b>K1573.0650</b>	35	128	96	128	96	35	565	12,7	46	650	650	35
<b>K1573.0690</b>	35	128	96	128	128	35	615	12,7	46	690	690	35