

Tubular handles, plastic, with electronic switch function and two push buttons, with emergency stop

Item description/product images



Description

Material:

Grip legs PA6 plastic.

Grip tube PVC plastic.

Version:

Grip legs fine textured, black.

Grip tube turned, black.

Note:

Emergency stop (2 opener)

Push button 1 (changer)

Push button 2 (closer)

2 LED's

Plug 12 pin

Plug mounted in the grip leg from the lower tube axis.

Connector with 10 m cable available as accessory. Must be ordered separately.

Rating: IP65 when connector is screwed on.

Optically matching tubular handle without electronic switch function (K1528) available.

Assembly:

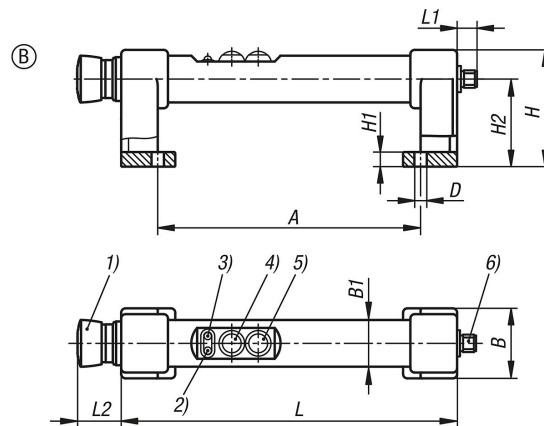
From the front.

Drawing reference:

- 1) Emergency stop
- 2) Red LED
- 3) Green LED
- 4) Push button 1
- 5) Push button 2
- 6) Connector, M12x1

Tubular handles, plastic, with electronic switch function and two push buttons, with emergency stop

Drawings



Overview of items

Order No.	Form	A	B	B1	D	H	H1	H2	L	L1	L2	Load capacity N
K1530.1180	B	180	48	32	8,5	80	10	60	230	13	30	1000