

# Riser blocks, grey cast iron Form H, long version

## Item description/product images



### Description

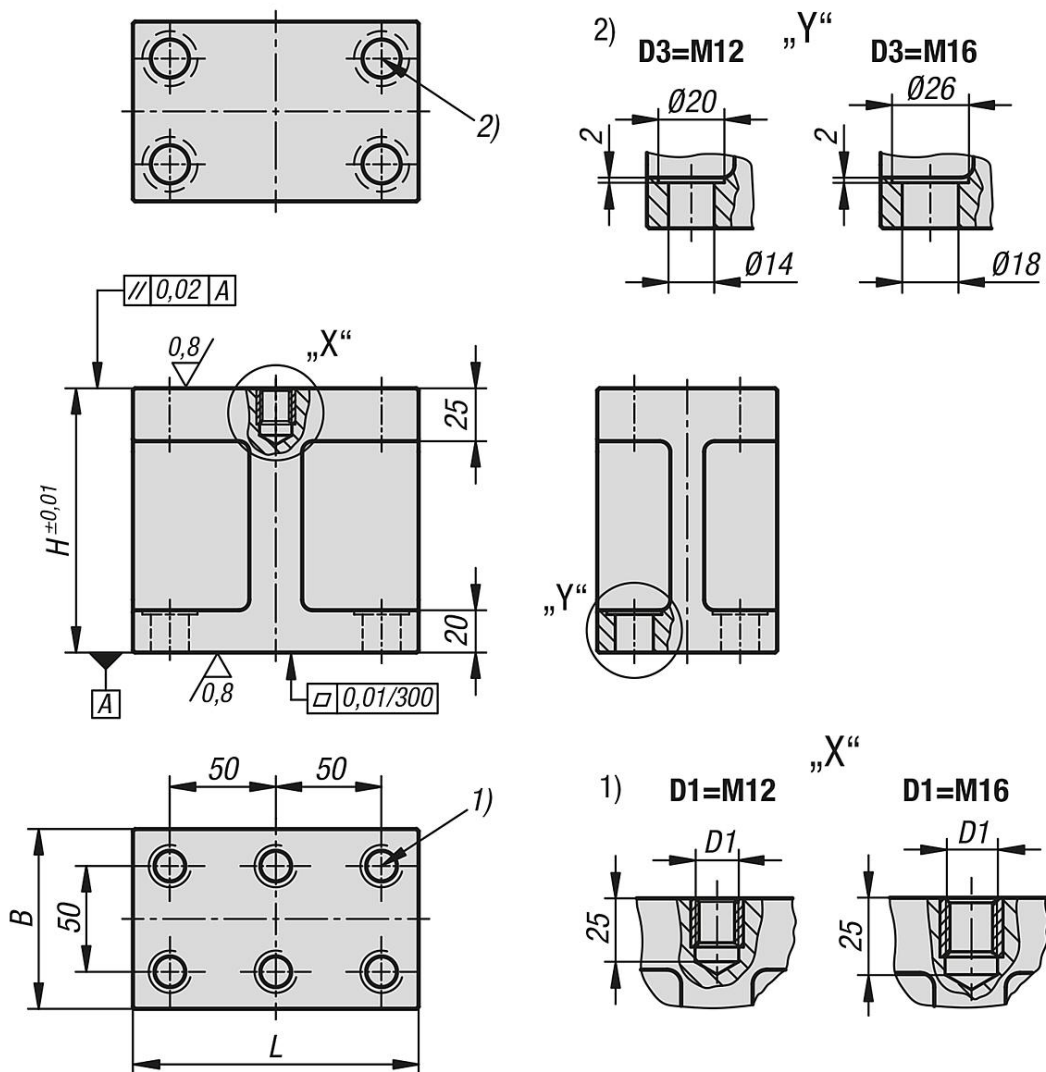
**Material:**  
GJL 300.

**Version:**  
Support and mounting surfaces ground

**Note:**  
Riser blocks are used for constructing modular fixtures. Several riser blocks can be mounted on each other. Support elements, clamping devices, and stops can then be mounted on the top riser block. Riser blocks are fastened using DIN 912 cap screws.

**Drawing reference:**  
1) tapped hole  
2) hole for DIN 912 cap screw

## Drawings



## Riser blocks, grey cast iron Form H, long version

### Overview of items

---

#### Riser blocks, grey cast iron Form H, long version

Order No.	L	B	H	D1	D3
K1536.21213585100	135	85	100	M12	M12
K1536.21213585125	135	85	125	M12	M12
K1536.21613585100	135	85	100	M16	M16
K1536.21613585125	135	85	125	M16	M16