

# Shaft collars set screw DIN 705, stainless steel , Form A, recess

## Item description/product images



## Description

### Material:

Stainless steel 1.4305.

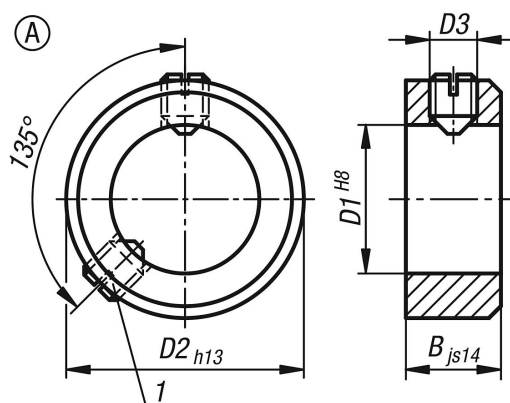
### Version:

Bright.

### Drawing reference:

1) Second grub screw from D1 ≥ 75

## Drawings



## Overview of items

| Order No.    | Form | Component material | D1 | B  | D2 | D3 grub screw |
|--------------|------|--------------------|----|----|----|---------------|
| K0406.100302 | A    | stainless steel    | 3  | 5  | 7  | M2x3          |
| K0406.100402 | A    | stainless steel    | 4  | 5  | 8  | M2,5x3        |
| K0406.100502 | A    | stainless steel    | 5  | 6  | 10 | M3x4          |
| K0406.100602 | A    | stainless steel    | 6  | 8  | 12 | M4x5          |
| K0406.100702 | A    | stainless steel    | 7  | 8  | 12 | M4x5          |
| K0406.100802 | A    | stainless steel    | 8  | 8  | 16 | M4x6          |
| K0406.100902 | A    | stainless steel    | 9  | 10 | 18 | M5x8          |
| K0406.101002 | A    | stainless steel    | 10 | 10 | 20 | M5x8          |
| K0406.101102 | A    | stainless steel    | 11 | 10 | 20 | M5x8          |
| K0406.101202 | A    | stainless steel    | 12 | 12 | 22 | M6x8          |
| K0406.101402 | A    | stainless steel    | 14 | 12 | 25 | M6x8          |
| K0406.101502 | A    | stainless steel    | 15 | 12 | 25 | M6x8          |
| K0406.101602 | A    | stainless steel    | 16 | 12 | 28 | M6x8          |
| K0406.101802 | A    | stainless steel    | 18 | 14 | 32 | M6x8          |
| K0406.102002 | A    | stainless steel    | 20 | 14 | 32 | M6x8          |
| K0406.102402 | A    | stainless steel    | 24 | 16 | 40 | M8x12         |

## Shaft collars set screw DIN 705, stainless steel , Form A, recess

### Overview of items

| Order No.    | Form | Component material | D1  | B  | D2  | D3<br>grub screw |
|--------------|------|--------------------|-----|----|-----|------------------|
| K0406.102502 | A    | stainless steel    | 25  | 16 | 40  | M8x10            |
| K0406.102602 | A    | stainless steel    | 26  | 16 | 40  | M8x10            |
| K0406.102802 | A    | stainless steel    | 28  | 16 | 45  | M8x12            |
| K0406.103002 | A    | stainless steel    | 30  | 16 | 45  | M8x10            |
| K0406.103202 | A    | stainless steel    | 32  | 16 | 50  | M8x12            |
| K0406.103502 | A    | stainless steel    | 35  | 16 | 56  | M8x12            |
| K0406.103602 | A    | stainless steel    | 36  | 16 | 56  | M8x12            |
| K0406.103802 | A    | stainless steel    | 38  | 16 | 56  | M8x12            |
| K0406.104002 | A    | stainless steel    | 40  | 18 | 63  | M10x16           |
| K0406.104202 | A    | stainless steel    | 42  | 18 | 63  | M10x16           |
| K0406.104502 | A    | stainless steel    | 45  | 18 | 70  | M10x16           |
| K0406.104802 | A    | stainless steel    | 48  | 18 | 70  | M10x16           |
| K0406.105002 | A    | stainless steel    | 50  | 18 | 80  | M10x16           |
| K0406.105202 | A    | stainless steel    | 52  | 18 | 80  | M10x16           |
| K0406.105502 | A    | stainless steel    | 55  | 18 | 80  | M10x16           |
| K0406.105602 | A    | stainless steel    | 56  | 18 | 80  | M10x16           |
| K0406.105802 | A    | stainless steel    | 58  | 20 | 90  | M10x16           |
| K0406.106002 | A    | stainless steel    | 60  | 20 | 90  | M10x16           |
| K0406.106302 | A    | stainless steel    | 63  | 20 | 90  | M10x16           |
| K0406.106502 | A    | stainless steel    | 65  | 20 | 100 | M10x20           |
| K0406.106802 | A    | stainless steel    | 68  | 20 | 100 | M10x20           |
| K0406.107002 | A    | stainless steel    | 70  | 20 | 100 | M10x20           |
| K0406.107202 | A    | stainless steel    | 72  | 20 | 100 | M10x20           |
| K0406.107502 | A    | stainless steel    | 75  | 22 | 110 | M12x20           |
| K0406.108002 | A    | stainless steel    | 80  | 22 | 110 | M12x20           |
| K0406.108502 | A    | stainless steel    | 85  | 22 | 125 | M12x25           |
| K0406.109002 | A    | stainless steel    | 90  | 22 | 125 | M12x20           |
| K0406.110002 | A    | stainless steel    | 100 | 25 | 140 | M12x25           |