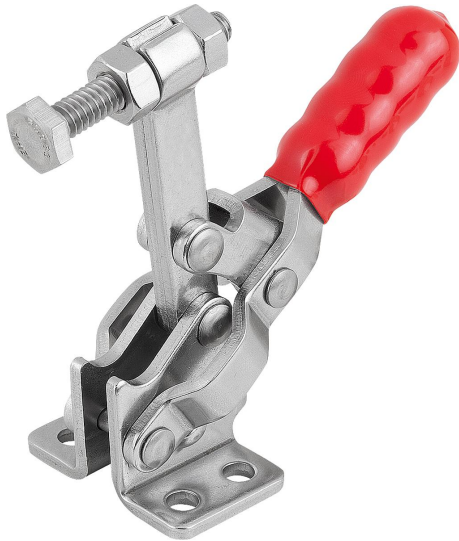
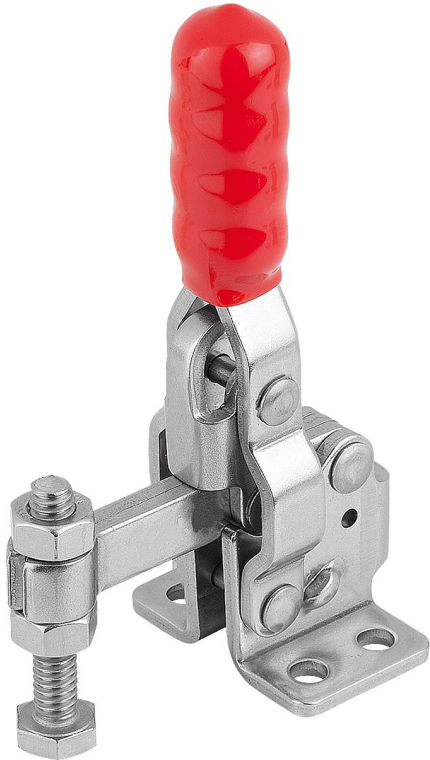


Toggle clamps mini vertical with flat foot and fixed clamping spindle

Item description/product images



Description

Material:

Steel or stainless steel.

Version:

Electro zinc-plated steel.

Bright stainless steel.

Plastic handle, oil-resistant.

Note:

A neoprene thrust pad is supplied with version K1254.0800.

Accessory:

K0688

K0689

K0101

K1442

K0102

K0103

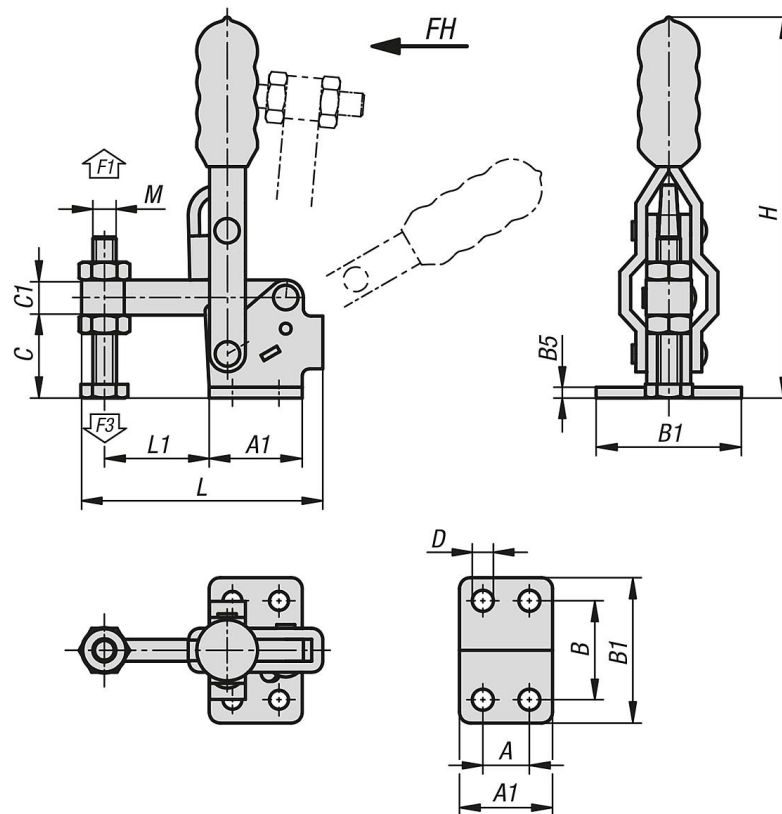
K1443

K0104

K0106

Toggle clamps mini vertical with flat foot and fixed clamping spindle

Drawings



Overview of items

Toggle clamps mini vertical with flat foot and fixed clamping spindle

Order No.	Main material	Opening angle of holding arm	Opening angle of handle	Hand force FH N	Retaining force F1 N	Clamping force F3 N
K1254.0800	steel	95°	60°	100	800	600
K1254.1800	stainless steel	95°	60°	100	800	600

Order No.	Main material	A	A1	B	B1	B5	C	C1	D	H	L	L1	M
K1254.0800	steel	12,7	25,4	27	39,7	3	22,7	9,6	5,2	104	65,8	28,6	M6x44
K1254.1800	stainless steel	12,7	25,4	27	39,7	3	22,7	9,6	5,2	104	65,8	28,6	M6x40