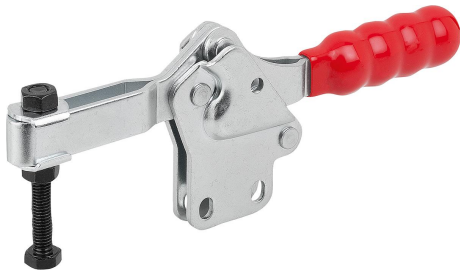


Toggle clamps horizontal with straight foot and adjustable clamping spindle

Item description/product images



Description

Material:
Steel.

Version:
Electro zinc-plated steel.
Plastic handle, oil-resistant.

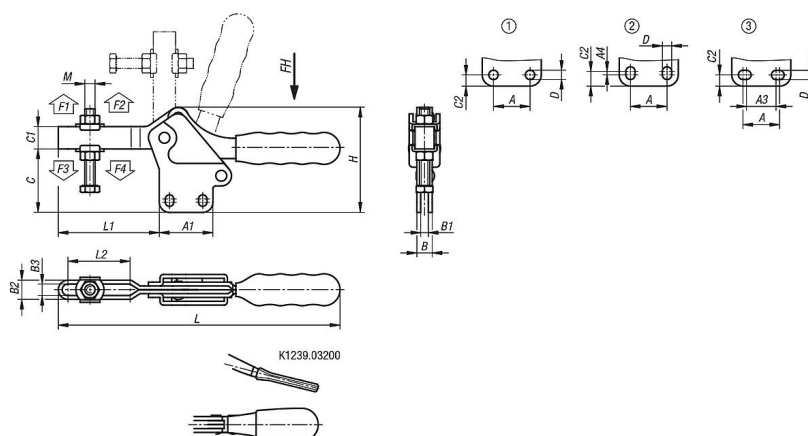
Note:
A neoprene thrust pad is supplied with versions K1239.01000, K1239.02500 and K1239.03200.

Accessory:

K0688
K0689
K0690
K0101
K1442
K0102
K0103
K1443
K0104
K0106
K1441



Drawings



Overview of items

Toggle clamps horizontal with straight foot and adjustable clamping spindle

Toggle clamps horizontal with straight foot and adjustable clamping spindle

Overview of items

Order No.	hole arrangement	Opening angle of holding arm	Opening angle of handle	Hand force FH N	Retaining force F1 N	Retaining force F2 N	Clamping force F3 N	Clamping force F4 N
K1239.01000	1	96°	78°	50	500	1000	250	600
K1239.02500	2	93°	76°	150	1200	2500	400	1000
K1239.03200	3	90°	65°	150	2000	3200	800	1600
K1239.03400	2	90°	72°	200	1400	3400	800	1900
K1239.05400	2	94°	76°	250	2400	5400	1100	3000
K1239.06400	1	94°	80°	250	3000	6400	1100	3000

Order No.	A	A1	A3	A4	B	B1	B2	B3	C	C1	C2	D	H	L	L1	L2	M
K1239.01000	13,5	25	-	-	8	4	9,3	5,1	27,5	9,5	5,1	5,2	47	110	37	25	M5x35
K1239.02500	26	38	-	3	10	5	11,2	6,3	38,2	14	9	5,5	65,4	173	61	40,6	M6x50
K1239.03200	25,4	38	20,8	-	12	6	14,7	8,7	48,3	12,7	6,4	6,7	61	173	71,6	39,1	M8x63
K1239.03400	26	42	-	2,5	12	6	15	8,6	49,7	17,5	10,5	6,6	82,2	225	79	52,7	M8x60
K1239.05400	41,2	59	-	2	16	8	19,4	11,5	63,8	23	10	8,7	109	277	108	79,5	M10x80
K1239.06400	41,2	66	-	-	20	10	23,2	13,7	79,6	26	12,9	8,7	131	308	128	93,5	M12x100