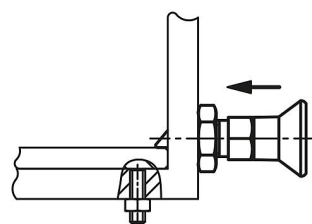
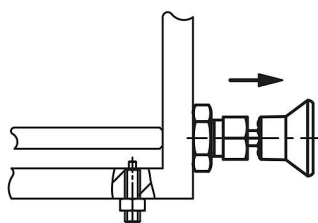
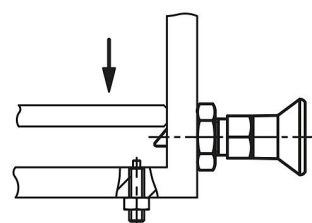
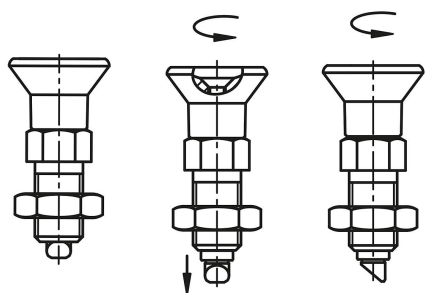
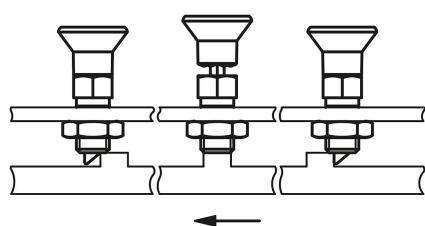


Indexing plungers, steel or stainless steel with plastic mushroom grip, rotation lock, lead-in chamfer and locknut

Item description/product images



Description

Material:

Steel version:

indexing pin hardened: grade 5.8

Stainless steel version:

indexing pin hardened: threaded sleeve 1.4305, indexing pin 1.4305.

Mushroom knob black grey thermoplastic.

Version:

Steel version:

indexing pin hardened, ground and black oxidised.

Stainless steel version:

indexing pin hardened, ground and bright.

Note:

Indexing plungers are used where any change in locking position due to lateral forces should be prevented. The rotation lock ensures that the position of the pin in relation to the sleeve cannot be changed. The point angle enables the pin to retract automatically through a lateral force from one side. Loosening the screw as far as the marking on the plunger enables the point angle to be rotated in 60° increments.

Assembly:

The screw can be loosened using a hex. key.

On request:

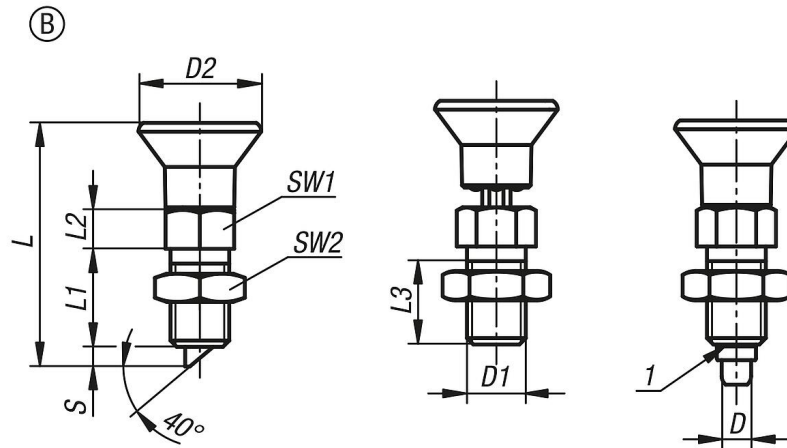
Special versions.

Accessory:

Spacer rings K0665

Indexing plungers, steel or stainless steel with plastic mushroom grip, rotation lock, lead-in chamfer and locknut

Drawings



Overview of items

Order No.	Form	Main material	D	D1	D2	L	L1	L2	L3	Travel S	SW1	SW2	Spring force initial pressure F1 approx. N	Spring force final pressure F2 approx. N
K1300.22061	B	steel	6	M12x1,5	25	49,7	20	8	17	4	14	19	8	14
K1300.22060	B	steel	6	M12	25	49,7	20	8	17	4	14	19	8	14
K1300.23081	B	steel	8	M16x1,5	33	66	26	10	23	6	19	24	20	35
K1300.23080	B	steel	8	M16	33	66	26	10	23	6	19	24	20	35
K1300.022061	B	stainless steel	6	M12x1,5	25	49,7	20	8	17	4	14	19	8	14
K1300.022060	B	stainless steel	6	M12	25	49,7	20	8	17	4	14	19	8	14
K1300.023081	B	stainless steel	8	M16x1,5	33	66	26	10	23	6	19	24	20	35
K1300.023080	B	stainless steel	8	M16	33	66	26	10	23	6	19	24	20	35