

Tension levers flat internal thread, stainless steel, 15°

Item description/product images



Description

Material:

Steel parts stainless steel 1.4305.

Ball knob black plastic.

Version:

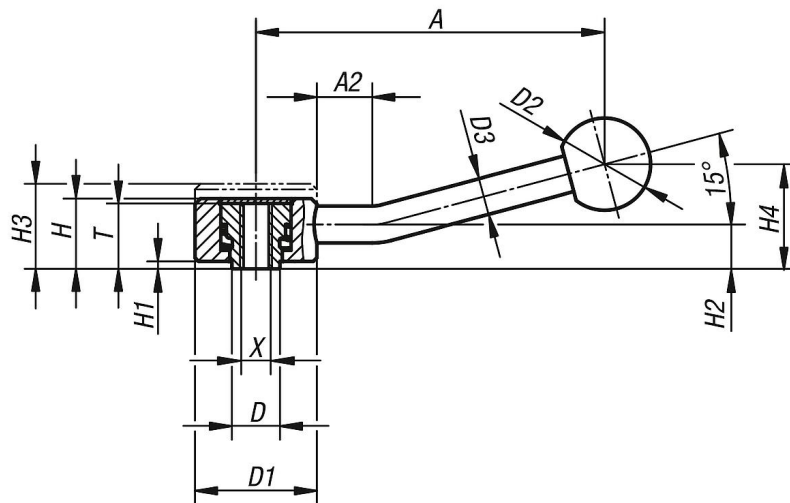
Steel parts bright.

On request:

Other threads and special versions.

Dimensions "H1" and "A" available in other lengths at extra charge.

Drawings



Overview of items

Order No.	Form	X	T	A=Handle length	A2	D	D1	D2	D3	H	H1	H2	H3	H4	No. of teeth
K0129.1082	15°	M8	18	100	15	13,5	33	25	10	19	2	12	23	29	26
K0129.2102	15°	M10	21	127	15	19	41	30	12	22	2	13,5	26	38	30
K0129.2122	15°	M12	21	127	15	19	41	30	12	22	2	13,5	26	38	30
K0129.3162	15°	M16	27	145	15	23	45	37	14	28	2	17	33	48	36