

Retaining washers for hexagon head bolts with narrow shaft

Item description/product images



Description

Material:

Stainless steel 1.4404.

Version:

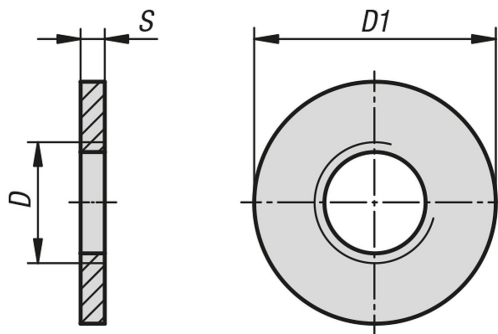
Polished.

Note:

Narrow shaft bolts are preferably secured against unintentional loss with a retaining element. This satisfies the EU standard 2006/42/EG. With the optionally available retaining washer the bolt is permanently combined with the component before screwing in. The washer is screwed over the threaded section and can then move freely on the narrow shaft. The shaft is not damaged by e.g. notching caused by a spring effect. By manual operation it is not possible that the washer screws itself out again. However, by careful manipulation the washer can be removed from the bolt without damaging either.

The surface of the hexagon head bolt is polished and, with regard to design optimised for the use in hygienic environments. The bolt head is convex on the top face and the collar has a conical formed top surface. Instead of troublesome embossing or indentations, the bolt head is smooth with a surface finish of less than $Ra\ 0.8\ \mu m$. Dirt and residue from products or cleaners seldom adheres and easy cleaning is ensured.

Drawings



Overview of items

Order No.	Main material	D	D1	S
K1331.03	stainless steel A4	M3	6	1,5
K1331.04	stainless steel A4	M4	8	1,5
K1331.05	stainless steel A4	M5	10	1,5
K1331.06	stainless steel A4	M6	12	1,5
K1331.08	stainless steel A4	M8	16	2
K1331.10	stainless steel A4	M10	20	2
K1331.12	stainless steel A4	M12	24	2,5
K1331.16	stainless steel A4	M16	32	3

