

# Angle bracket for magnetic lock

## Item description/product images



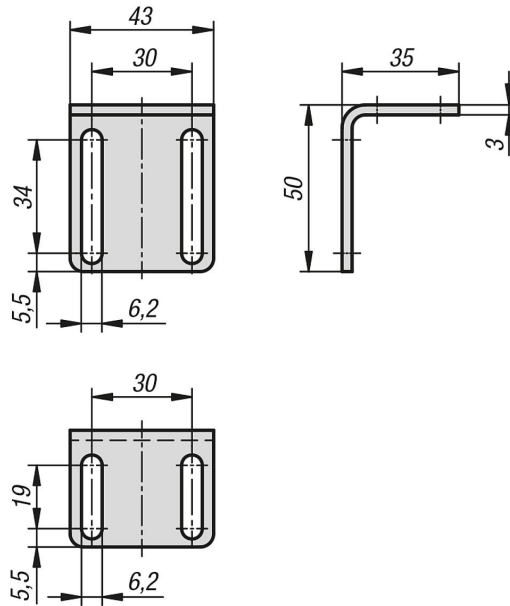
### Description

**Material:**  
Steel.

**Version:**  
Electro zinc-plated.

**Note:**  
These angle brackets enable the magnetic catch to be flexibly positioned.

## Drawings



## Overview of items

### Angle bracket for magnetic lock

Order No.	Dimensions
K1295.9503543	see drawing