

## Hexagon head bolts with collar for Hygienic USIT® sealing and shim washer Freudenberg Process Seals

Item description/product images



### Description

**Material:**

Stainless steel 1.4404.

**Version:**

High-gloss polished.

**Note:**

Hexagon head screw with collar for Hygienic USIT® sealing and shim washer.

Only the combination of a Hygienic USIT® washer together with the specially designed hexagon head screw assures a cavity-free seal. This is essential especially in product contact areas or within aseptic insulators.

The screws are explicitly high-gloss polished on the screw head and the seating face of the sealing and shim washer. Thanks to the extremely high quality surface finish of less than Ra 0.8 µm, almost no dirt particles adhere to the screw. Easy cleaning is assured by the high-gloss polished surface.

No countersink or recess on the screw head, no embossing or tothing beneath the flange.

**On request:**

Tool from SW 8 mm - SW 24 mm.

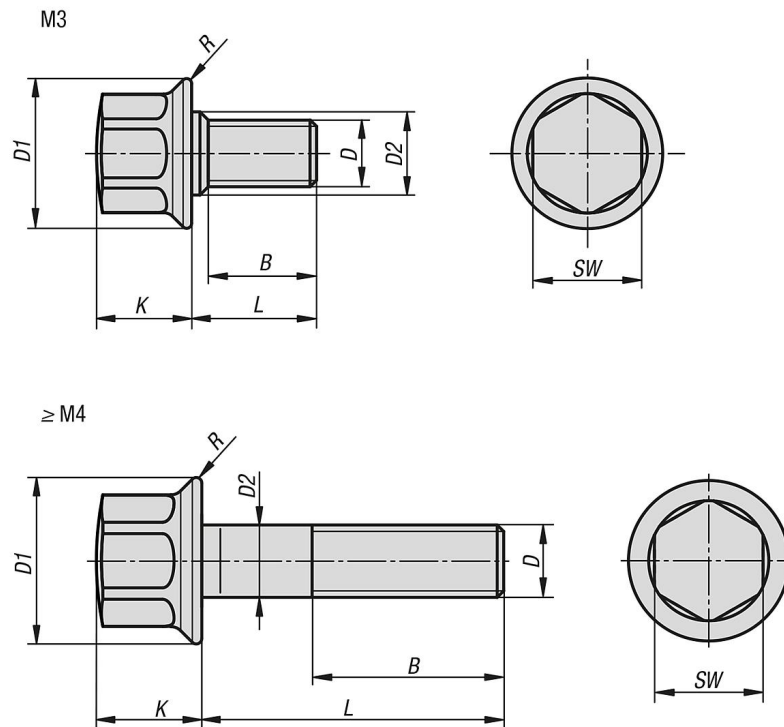
**Accessory:**

Hygienic USIT® sealing and shim washer K1491.

Hexagon cap nut with collar K1493.

# Hexagon head bolts with collar for Hygienic USIT® sealing and shim washer Freudenberg Process Seals

Drawings



## Overview of items

### Hexagon head bolts with collar for Hygienic USIT® sealing and shim washer Freudenberg

Order No.	D	D1	D2	B	K	L	R	SW
K1327.04X25	M4	10,8	4	14	6,3	25	0,45	7
K1327.05X30	M5	11,8	5	16	7,3	30	0,5	8
K1327.06X40	M6	14,2	6	18	9	40	0,55	10
K1327.06X45	M6	14,2	6	18	9	45	0,55	10
K1327.06X50	M6	14,2	6	18	9	50	0,55	10
K1327.08X35	M8	18	8	22	11	35	0,7	13
K1327.08X40	M8	18	8	22	11	40	0,7	13
K1327.08X45	M8	18	8	22	11	45	0,7	13
K1327.08X50	M8	18	8	22	11	50	0,7	13
K1327.08X55	M8	18	8	22	11	55	0,7	13
K1327.08X60	M8	18	8	22	11	60	0,7	13
K1327.08X65	M8	18	8	22	11	65	0,7	13
K1327.08X70	M8	18	8	22	11	70	0,7	13
K1327.10X25	M10	22,3	10	22	13,5	25	0,8	16
K1327.10X35	M10	22,3	10	26	13,5	35	0,8	16
K1327.10X40	M10	22,3	10	26	13,5	40	0,8	16
K1327.10X50	M10	22,3	10	26	13,5	50	0,8	16
K1327.10X55	M10	22,3	10	26	13,5	55	0,8	16
K1327.10X60	M10	22,3	10	26	13,5	60	0,8	16
K1327.10X70	M10	22,3	10	26	13,5	70	0,8	16
K1327.10X75	M10	22,3	10	26	13,5	75	0,8	16
K1327.12X35	M12	26,6	12	30	17	35	0,9	18
K1327.12X45	M12	26,6	12	30	17	45	0,9	18
K1327.12X50	M12	26,6	12	30	17	50	0,9	18
K1327.12X55	M12	26,6	12	30	17	55	0,9	18
K1327.12X60	M12	26,6	12	30	17	60	0,9	18
K1327.12X70	M12	26,6	12	30	17	70	0,9	18
K1327.12X75	M12	26,6	12	30	17	75	0,9	18
K1327.12X80	M12	26,6	12	30	17	80	0,9	18

## Hexagon head bolts with collar for Hygienic USIT® sealing and shim washer Freudenberg Process Seals

### Overview of items

Order No.	D	D1	D2	B	K	L	R	SW
K1327.16X30	M16	35	16	26	21	30	1,2	24
K1327.16X35	M16	35	16	31	21	35	1,2	24
K1327.16X40	M16	35	16	36	21	40	1,2	24
K1327.16X45	M16	35	16	36	21	45	1,2	24
K1327.16X50	M16	35	16	36	21	50	1,2	24
K1327.16X55	M16	35	16	36	21	55	1,2	24
K1327.16X65	M16	35	16	36	21	65	1,2	24
K1327.16X70	M16	35	16	36	21	70	1,2	24
K1327.16X75	M16	35	16	36	21	75	1,2	24
K1327.16X80	M16	35	16	36	21	80	1,2	24