

# Mushroom knobs internal thread with high head for Hygienic USIT® sealing and shim washer Freudenberg Process Seals

Item description/product images



## Description

### Material:

Steel parts stainless steel 1.4404.

### Version:

High-gloss polished.

### Note:

The high head makes the mushroom knob ideal for manual pull and push movements.

The complete surface is polished to a high gloss with a surface finish of much less than  $Ra\ 0.8\ \mu m$ . The contour is produced with generous radii and transitions. It doesn't matter in which position the mushroom knob is mounted, dirt and residue from products or cleaners seldom adheres. Easy cleaning is ensured.

The Hygienic USIT® sealing and shim washers from Freudenberg Process are used to seal the screw-on point. The shaft of the mushroom knob is specially designed to suit this seal. An almost cavity-free seal of the screw-on point is created which satisfies hygienic regulations.

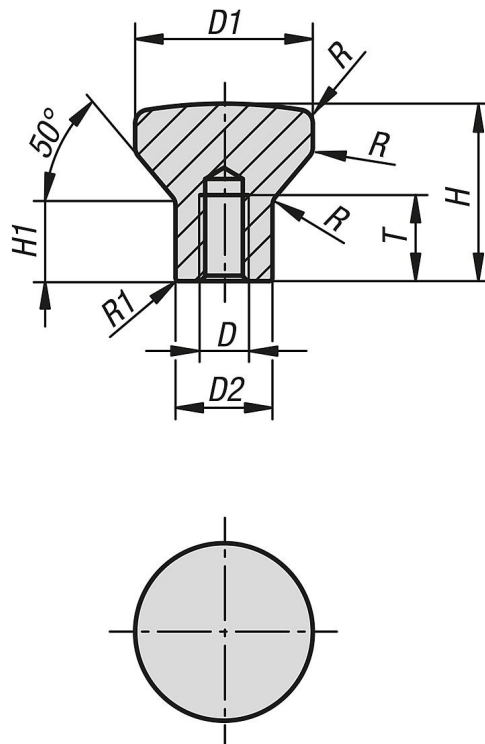
### On request:

Inch threads, thread depths, form variations.

### Accessory:

Hygienic USIT® sealing and shim washer K1491 for the screw-on surface.

## Drawings



## Mushroom knobs internal thread with high head for Hygienic USIT® sealing and shim washer Freudenberg Process Seals

Overview of items

### Mushroom knobs, internal thread with high head, for Hygienic USIT® sealing and shim washer

Order No.	D	D1	D2	H	H1	T	R	R1
K1308.2004	M4	20	10,8	19	8	10	3	0,45
K1308.2105	M5	21	11,8	21	10	12	3	0,5
K1308.2506	M6	25	14,2	25	12	12	3	0,55
K1308.3308	M8	33	18	33	15	16	4	0,7
K1308.4010	M10	40	22,3	40	19	20	4	0,8