

Centring clamps with external thread

Item description/product images



Description

Material:

Body steel.

Bushes carbon steel.

Version:

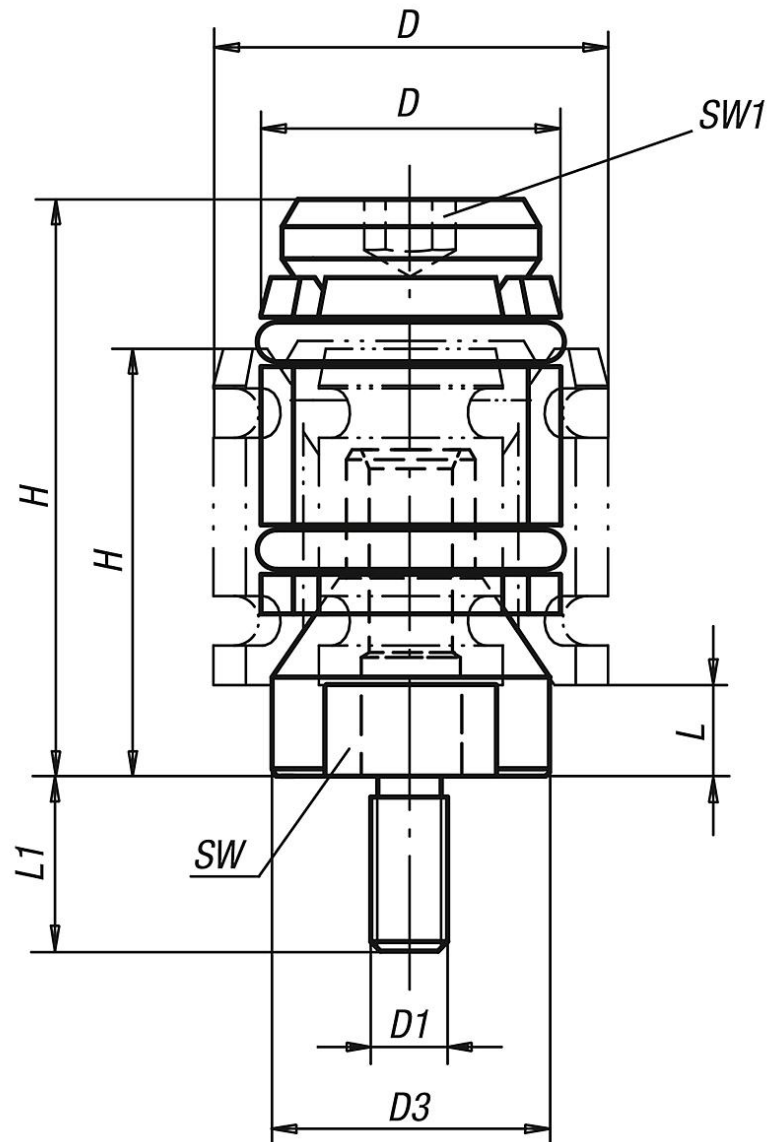
Black oxidised.

Note:

These centring clamps allow workpieces to be centred on and clamped in a bore. The clamps have a wide expansion range. The series covers a bore range of Ø12 to Ø30 mm. For M6 grid systems use the centring clamps with internal thread.

Centring clamps with external thread

Drawings



Overview of items

Order No.	Thread type	D	D1	L1	D min.	D3	H min.	H max.	L min.	SW	SW1	Clamping force max. kN	Tightening torque max. Nm
K0893.061215	external thread	15	M6	12	12	11,4	22	27,5	4,8	9	2,5	1,5	2,2
K0893.061219	external thread	19	M6	12	15	14	24,5	32	4,8	12	4	2,5	6
K0893.081624	external thread	24	M8	16	19	17,8	26	35	4,5	15	5	4	10
K0893.081630	external thread	30	M8	16	24	23	32	44,5	7	19	5	4,5	10