

# Clamping balls with cup for workpiece stabiliser, Form B

## Item description/product images



### Description

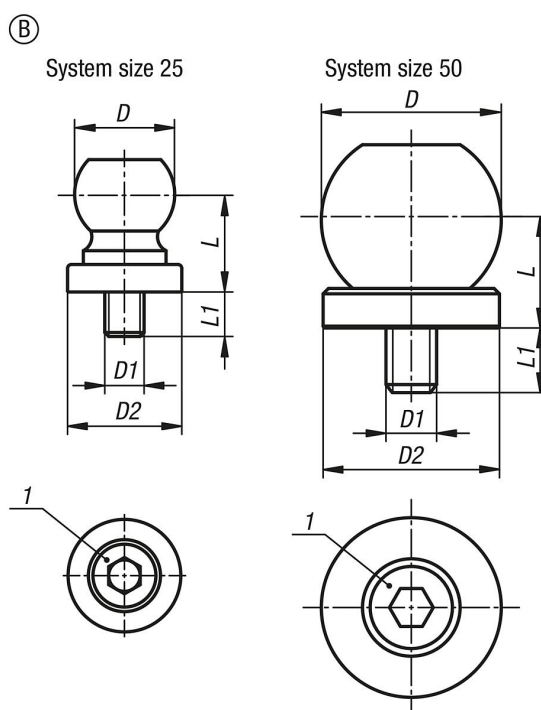
**Material:**  
Steel.

**Version:**  
DIN EN ISO 4762 cap screw grade 8.8, black.  
Clamping ball bright.

**Note:**  
The clamping balls enable flexible connections between the workpiece and the workpiece stabiliser. The clamping balls provide a high degree of freedom on the workpiece.

**Drawing reference:**  
1) DIN EN ISO 4762 M10 cap screw

## Drawings



## Overview of items

Order No.	Form	Size	D	D1	D2	L	L1
K1193.225	B	25	25,4	M10	29	25	11
K1193.250	B	50	50	M16	49	30	20,5