

Spring hinges, steel, stainless steel or aluminium, 50 mm, spring closed

Item description/product images



Description

Material:

Steel, 1.4301 stainless steel or 5754 aluminium.
Tension spring steel or stainless steel.

Version:

Steel electro zinc-plated
Stainless steel and aluminium, bright.
Tension spring Zn/Al alloy.

Note:

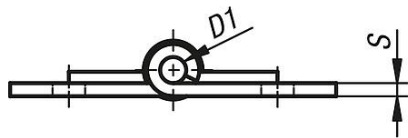
Butt type hinges.
Opening angle 270°.

Spring torque:

M(0°): 0.25 Nm / M(90°): 0.65 Nm / M(180°): 1.1 Nm

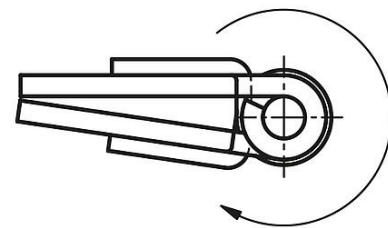
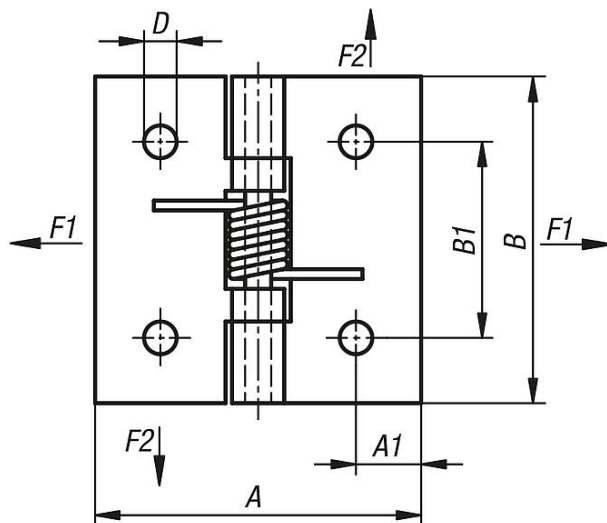
By the aluminum hinges, the tension springs are steel alloyed with Zn/Al.

Drawings



Hinges with closing spring

Door rotation



Spring hinges, steel, stainless steel or aluminium, 50 mm, spring closed**Overview of items**

Order No.	Main material	A	A1	B	B1	D	D1	S
K1173.50501	steel	50	9	50	30	5	4	2
K1173.150501	stainless steel A2	50	10	50	30	5	4	2
K1173.250501	aluminium	50	9	50	30	5	4	2