

Conical seats Form G, $D4 > D3$, DIN 6319, edition 10/01

Item description/product images



Description

Material:

Carbon steel or stainless steel.

Version:

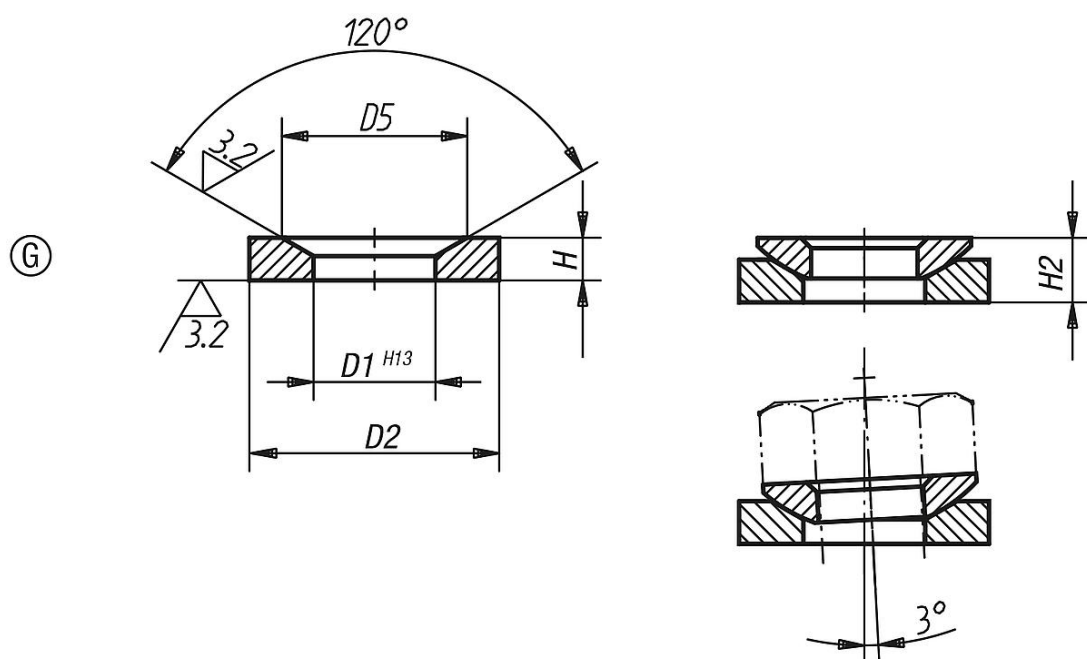
Steel version tempered to $HV\ 390 \pm 40$.

Stainless steel version not hardened, bright.

Note:

Conical seat Form G should be used over slots.

Drawings



Overview of items

Order No.	Main material	Form	D1	D2	D5	H	H2	Load rating max. kN (static load only)
K0729.305	high carbon steel	G	6	15	9,25	2,5	3,5	6,5
K0729.306	high carbon steel	G	7,1	17	11	4	5,4	9
K0729.308	high carbon steel	G	9,6	24	14,5	5	7,1	17
K0729.310	high carbon steel	G	12	30	18,5	5	7,3	26
K0729.312	high carbon steel	G	14,2	36	20	6	9	38
K0729.314	high carbon steel	G	16,5	40	24,8	6	9,5	53
K0729.316	high carbon steel	G	19	44	26	7	10,4	73
K0729.320	high carbon steel	G	23,2	50	31	8	12,2	117
K0729.324	high carbon steel	G	28	60	37	10	15,7	168
K0729.330	high carbon steel	G	35	68	49	12	19,7	269
K0729.336	high carbon steel	G	42	80	60	12	20,3	394
K0729.0306	stainless steel	G	7,1	17	11	4	5,4	6
K0729.0308	stainless steel	G	9,6	24	14,5	5	7,1	12
K0729.0310	stainless steel	G	12	30	18,5	5	7,3	16
K0729.0312	stainless steel	G	14,2	36	20	6	9	24
K0729.0316	stainless steel	G	19	44	26	7	10,4	45
K0729.0320	stainless steel	G	23,2	50	31	8	12,2	71

Conical seats Form G, D4>D3, DIN 6319, edition 10/01**Overview of items**

Order No.	Main material	Form	D1	D2	D5	H	H2	Load rating max. kN (static load only)
K0729.0324	stainless steel	G	28	60	37	10	15,7	105
K0729.0330	stainless steel	G	35	68	49	12	19,7	191