

Bullseye levels in frame to screw on, Form A with screw-on flange

Item description/product images



Description

Material:

Frame brass.

Bullseye level body polyamide.

Version:

Nickel-plated and high-gloss polished.

Note:

Bubble levels are used as a type of zero indicator instrument for checking horizontal inclination in e.g. spirit levels, inclinometers, metrology instruments and machine constructions.

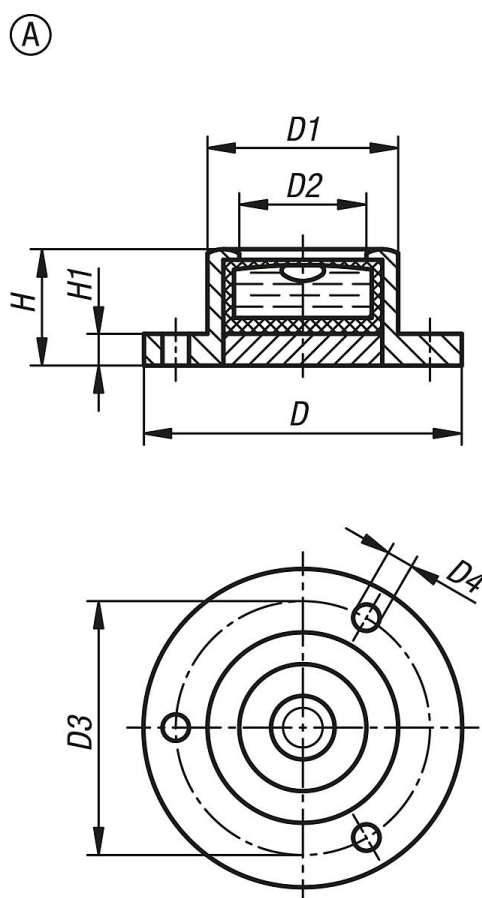
These bullseye levels can be screwed down using the three holes.

- Calibrated to the ground bottom face
- Sensitivity in angular minutes for 2 mm bubble travel
- Clear filling
- Black contrast ring
- White level base

Temperature range:

-35 °C up to +55 °C.

Drawings



Bullseye levels in frame to screw on, Form A with screw-on flange**Overview of items**

Order No.	Form	D	D1	D2	D3	D4	H	H1	Sensitivity
K1154.1141030	A	20	14	10	17	1,6	10	1,8	30'
K1154.1171030	A	25	17	12	21	2	10	2	30'
K1154.1181130	A	30	18	12	24	2,5	11	3	30'
K1154.1281430	A	40	28	20	34,5	2,5	14	4	30'
K1154.1341530	A	50	34	25	43	3	15	5	30'