

Conical seats Form D DIN 6319, edition 10/01

Item description/product images

Description

Material:

Mild steel or stainless steel.

Form G high carbon steel tempered to HV 390 ±40.

Version:

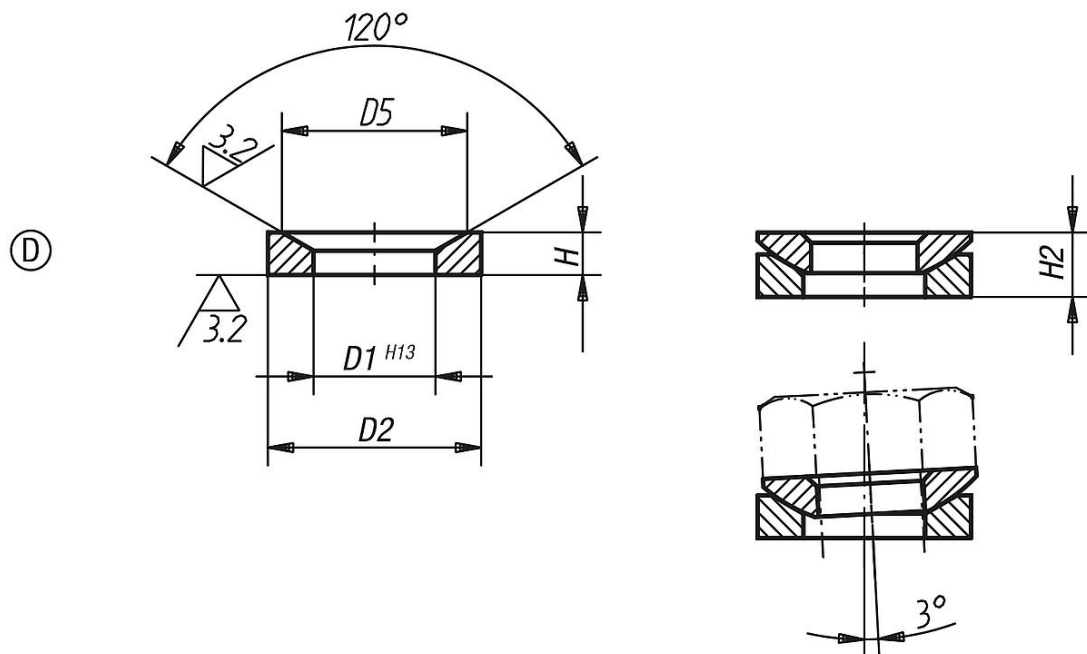
Steel version case hardened.

Stainless steel version bright, not hardened.

Note:

Conical seat Form G should be used over slots.

Drawings



Overview of items

Order No.	Main material	Form	D1	D2	D5	H	H2	Load rating max. kN (static load only)
K0729.205	mild steel	D	6	10,5	9,25	2,1	3,1	6,5
K0729.206	mild steel	D	7,1	12	11	2,8	4,2	9
K0729.208	mild steel	D	9,6	17	14,5	3,5	5,6	17
K0729.210	mild steel	D	12	21	18,5	4,2	6,5	26
K0729.212	mild steel	D	14,2	24	20	5	8	38
K0729.214	mild steel	D	16,5	28	24,8	5,6	8,5	53
K0729.216	mild steel	D	19	30	26	6,2	9,5	73
K0729.220	mild steel	D	23,2	36	31	7,5	11,7	117
K0729.224	mild steel	D	28	44	37	9,5	15,2	168
K0729.230	mild steel	D	35	56	49	12	19,2	269
K0729.236	mild steel	D	42	68	60	15	23,5	394
K0729.242	mild steel	D	49	78	70	18	29	542
K0729.248	mild steel	D	56	92	82	22	35,5	714
K0729.256	mild steel	D	65	103	92	25	39,7	960
K0729.264	mild steel	D	75	120	110	30	46,5	1269
K0729.0206	stainless steel	D	7,1	12	11	2,8	4,2	6

Conical seats Form D DIN 6319, edition 10/01

Overview of items

Order No.	Main material	Form	D1	D2	D5	H	H2	Load rating max. kN (static load only)
K0729.0208	stainless steel	D	9,6	17	14,5	3,5	5,6	12
K0729.0210	stainless steel	D	12	21	18,5	4,2	6,5	16
K0729.0212	stainless steel	D	14,2	24	20	5	8	24
K0729.0216	stainless steel	D	19	30	26	6,2	9,5	45
K0729.0220	stainless steel	D	23,2	36	31	7,5	11,7	71
K0729.0224	stainless steel	D	28	44	37	9,5	15,2	105
K0729.0230	stainless steel	D	35	56	49	12	19,2	191
K0729.0236	stainless steel	D	42	68	60	15	23,5	-
K0729.0242	stainless steel	D	49	78	70	18	29	-
K0729.0248	stainless steel	D	56	92	82	22	35,5	-