

Indexing plungers, steel or stainless steel with plastic T-grip

Item description/product images



Description

Material:

Steel version:
Indexing pin hardened:
pin 1.0718
threaded sleeve 1.0718.

Stainless steel version:
Indexing pin hardened:
pin 1.4305
threaded sleeve 1.4305.

T-grip thermoplastic, black grey or traffic red RAL 3020.

Version:

Steel version:
indexing pin hardened, ground and black oxidised.
Threaded sleeve black oxidised

Stainless steel version:
indexing pin hardened, ground and bright.
Threaded sleeve bright.

Note:

Indexing plungers are used to prevent any change in locking position due to lateral forces. A new locking position can only be set after the pin has been manually disengaged. The ergonomic T-grip enables easy handling and low effort.

On request:

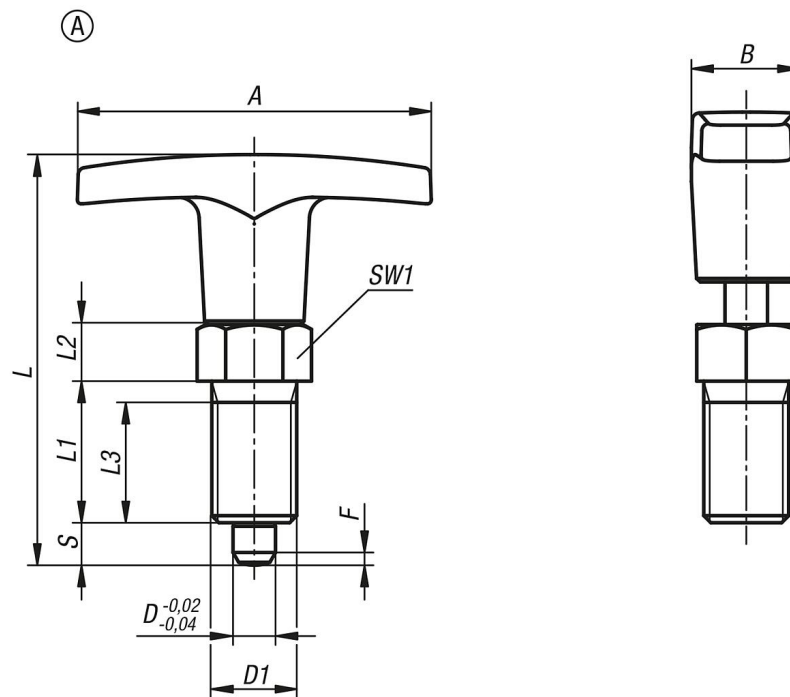
Special versions.

Accessory:

Spacer rings K0665

Indexing plungers, steel or stainless steel with plastic T-grip

Drawings



Overview of items

Order No.	Main material	Component colour	Form	A	B	D	D1	L	L1	L2	L3	Travel S	SW1	Fx30°	Spring force initial pressure F1 approx. N	Spring force final pressure F2 approx. N
K1124.5206	steel	black grey RAL 7021	A	50	15,5	6	M12x1,5	58	20	8	17	6	14	1,8	6	14
K1124.5308	steel	black grey RAL 7021	A	60	18	8	M16x1,5	77	26	10	23	8	19	2,3	15	35
K1124.5410	steel	black grey RAL 7021	A	72	19	10	M20x1,5	84	28	12	25	10	22	2,8	15	34
K1124.520684	steel	traffic red RAL 3020	A	50	15,5	6	M12x1,5	58	20	8	17	6	14	1,8	6	14
K1124.530884	steel	traffic red RAL 3020	A	60	18	8	M16x1,5	77	26	10	23	8	19	2,3	15	35
K1124.541084	steel	traffic red RAL 3020	A	72	19	10	M20x1,5	84	28	12	25	10	22	2,8	15	34
K1124.05206	stainless steel	black grey RAL 7021	A	50	15,5	6	M12x1,5	58	20	8	17	6	14	1,8	6	14
K1124.05308	stainless steel	black grey RAL 7021	A	60	18	8	M16x1,5	77	26	10	23	8	19	2,3	15	35
K1124.05410	stainless steel	black grey RAL 7021	A	72	19	10	M20x1,5	84	28	12	25	10	22	2,8	15	34
K1124.0520684	stainless steel	traffic red RAL 3020	A	50	15,5	6	M12x1,5	58	20	8	17	6	14	1,8	6	14
K1124.0530884	stainless steel	traffic red RAL 3020	A	60	18	8	M16x1,5	77	26	10	23	8	19	2,3	15	35
K1124.0541084	stainless steel	traffic red RAL 3020	A	72	19	10	M20x1,5	84	28	12	25	10	22	2,8	15	34