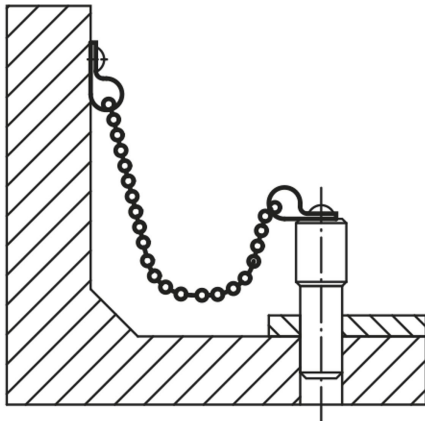


Ball chains, Form B, with key ring

Item description/product images



Description

Material:

Chain stainless steel.
Key ring stainless steel.

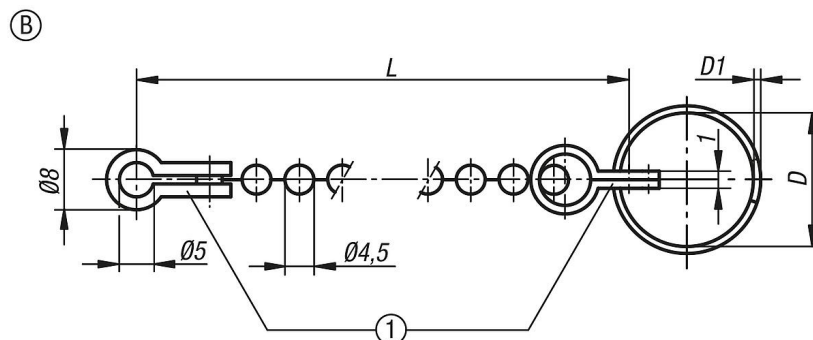
Note:

If no length is specified 1000 mm will be supplied.

Drawing reference:

1) identical parts

Drawings



Overview of items

Order No.	Form	Version 1	Main material	L	D	D1
K1125.115X160	B	with key ring	stainless steel	160	15	1
K1125.115X320	B	with key ring	stainless steel	320	15	1
K1125.115X500	B	with key ring	stainless steel	500	15	1
K1125.115X1000	B	with key ring	stainless steel	1000	15	1
K1125.119X160	B	with key ring	stainless steel	160	19	1

Ball chains, Form B, with key ring**Overview of items**

Order No.	Form	Version 1	Main material	L	D	D1
K1125.119X320	B	with key ring	stainless steel	320	19	1
K1125.119X500	B	with key ring	stainless steel	500	19	1
K1125.119X1000	B	with key ring	stainless steel	1000	19	1
K1125.123X160	B	with key ring	stainless steel	160	23	1,2
K1125.123X320	B	with key ring	stainless steel	320	23	1,2
K1125.123X500	B	with key ring	stainless steel	500	23	1,2
K1125.123X1000	B	with key ring	stainless steel	1000	23	1,2
K1125.128X160	B	with key ring	stainless steel	160	28	1,7
K1125.128X320	B	with key ring	stainless steel	320	28	1,7
K1125.128X500	B	with key ring	stainless steel	500	28	1,7
K1125.128X1000	B	with key ring	stainless steel	1000	28	1,7