

Positioning feet with external thread and POM insert, Form L

Item description/product images



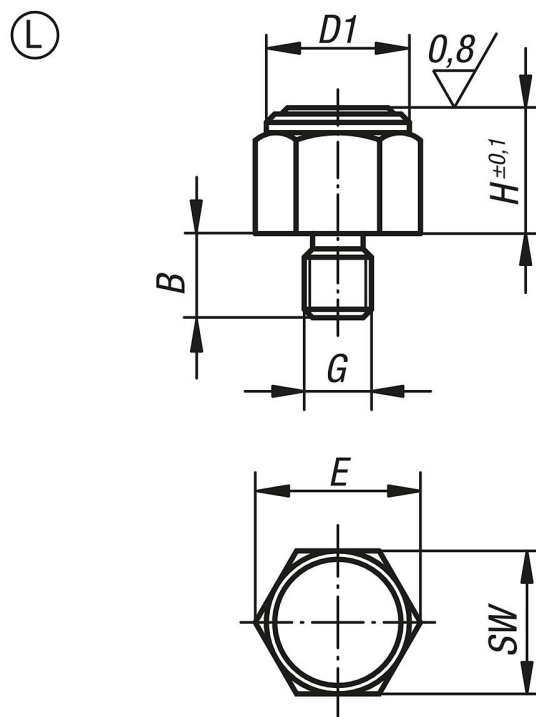
Description

Material:
Steel.

Version:
Case-hardened and black oxidised.

Note:
Positioning feet are used as supports, stops and thrust pads for fixtures and general machine and appliance construction.

Drawings



Overview of items

Order No.	Form	B	D1	G	H	E	SW	Tightening torque max. Nm
K0298.8101	L	10	17	M8	10	19,4	17	18
K0298.810	L	14	22	M12	10	25,2	22	60
K0298.815	L	14	22	M12	15	25,2	22	60
K0298.8151	L	19	30	M16	15	33	30	140
K0298.8201	L	19	30	M16	20	33	30	140

